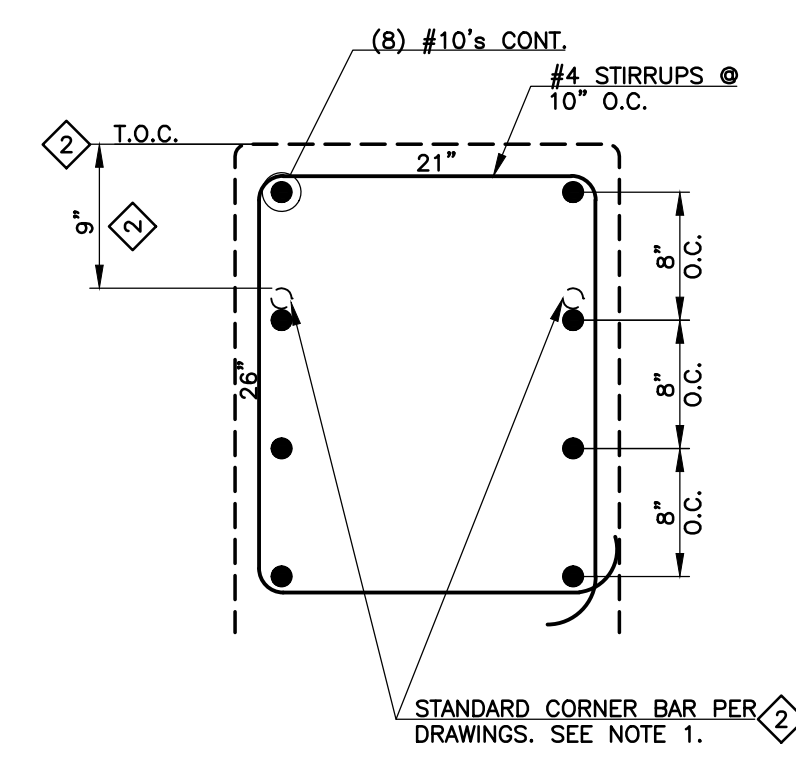
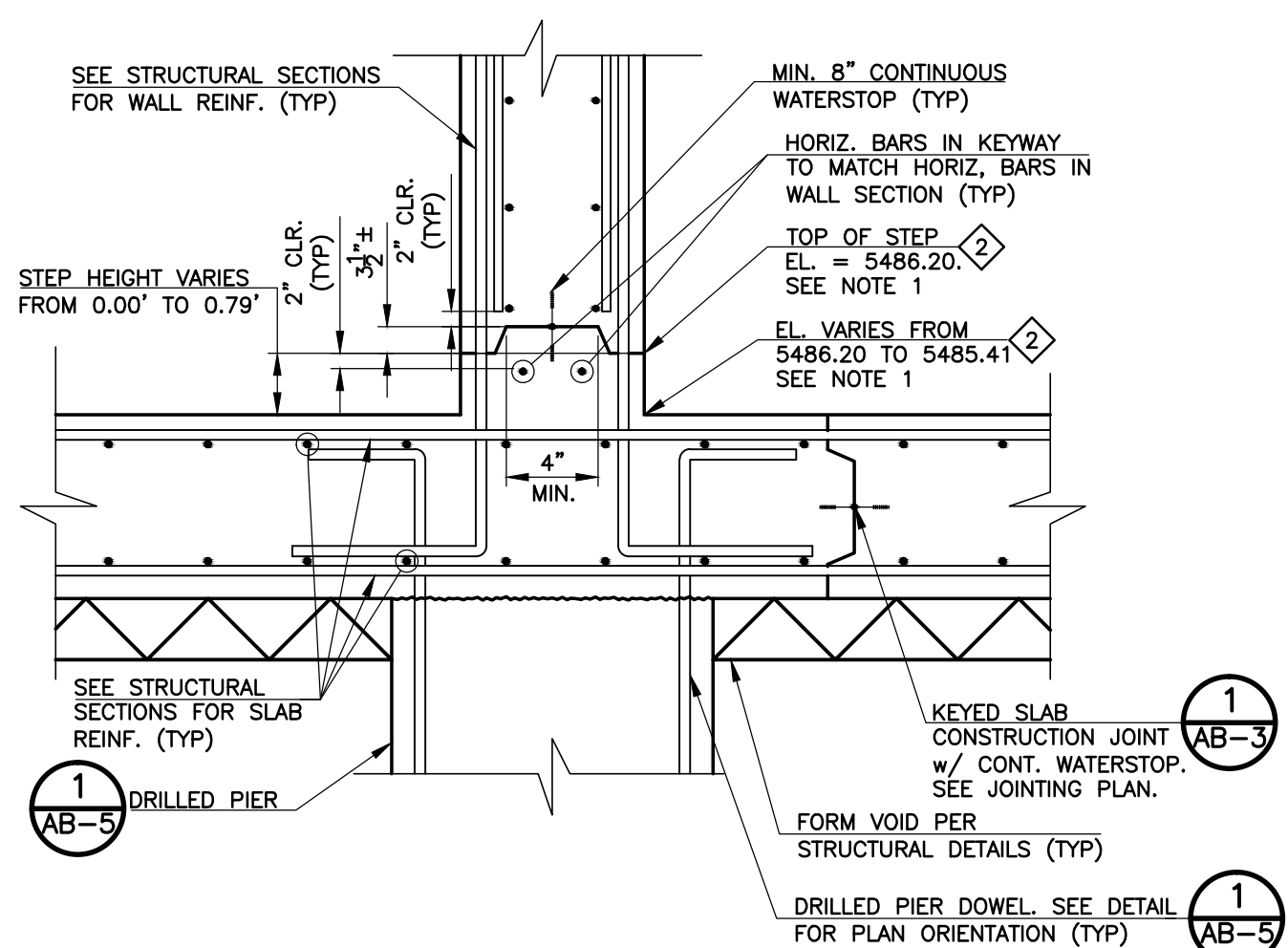
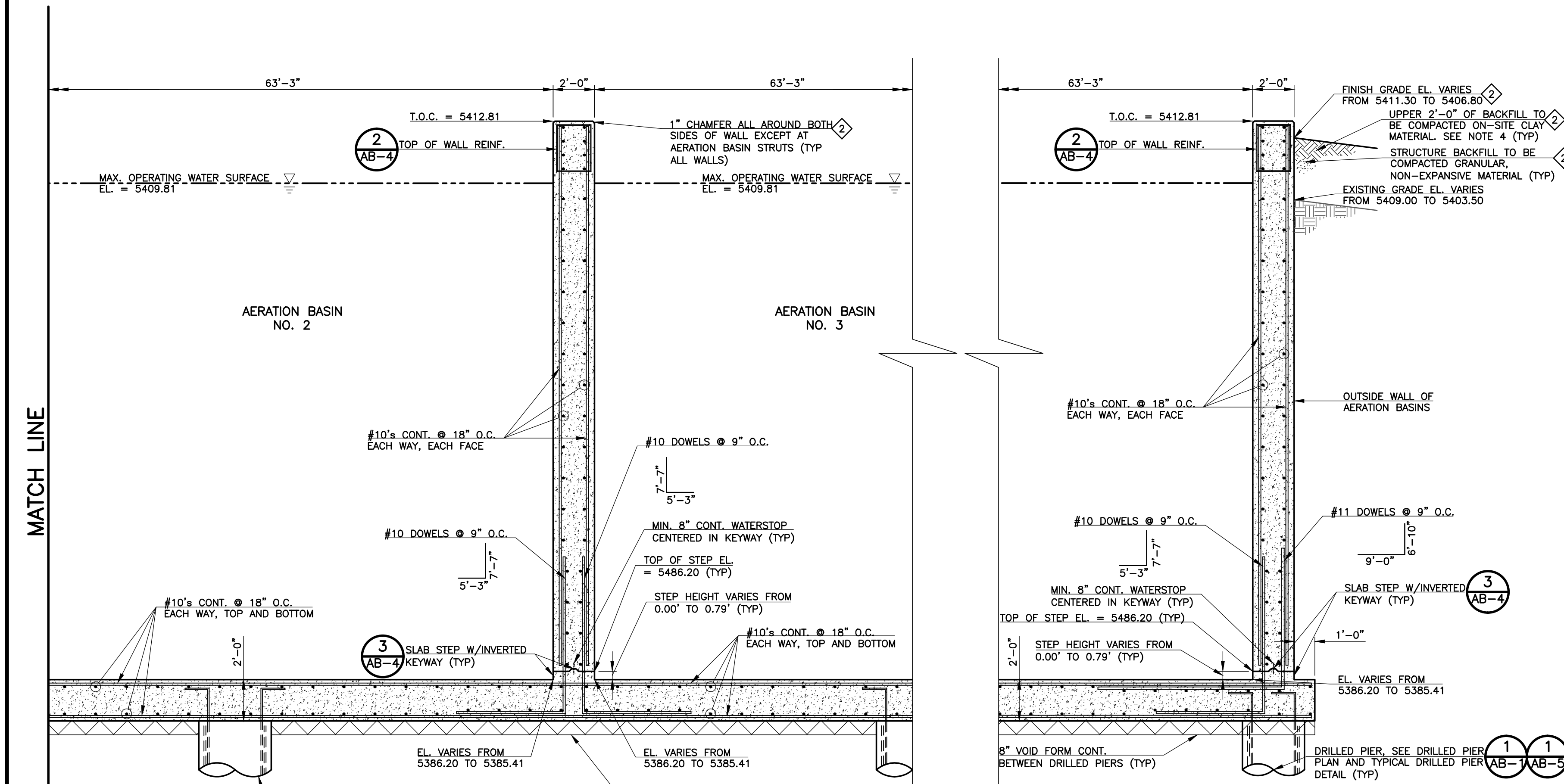


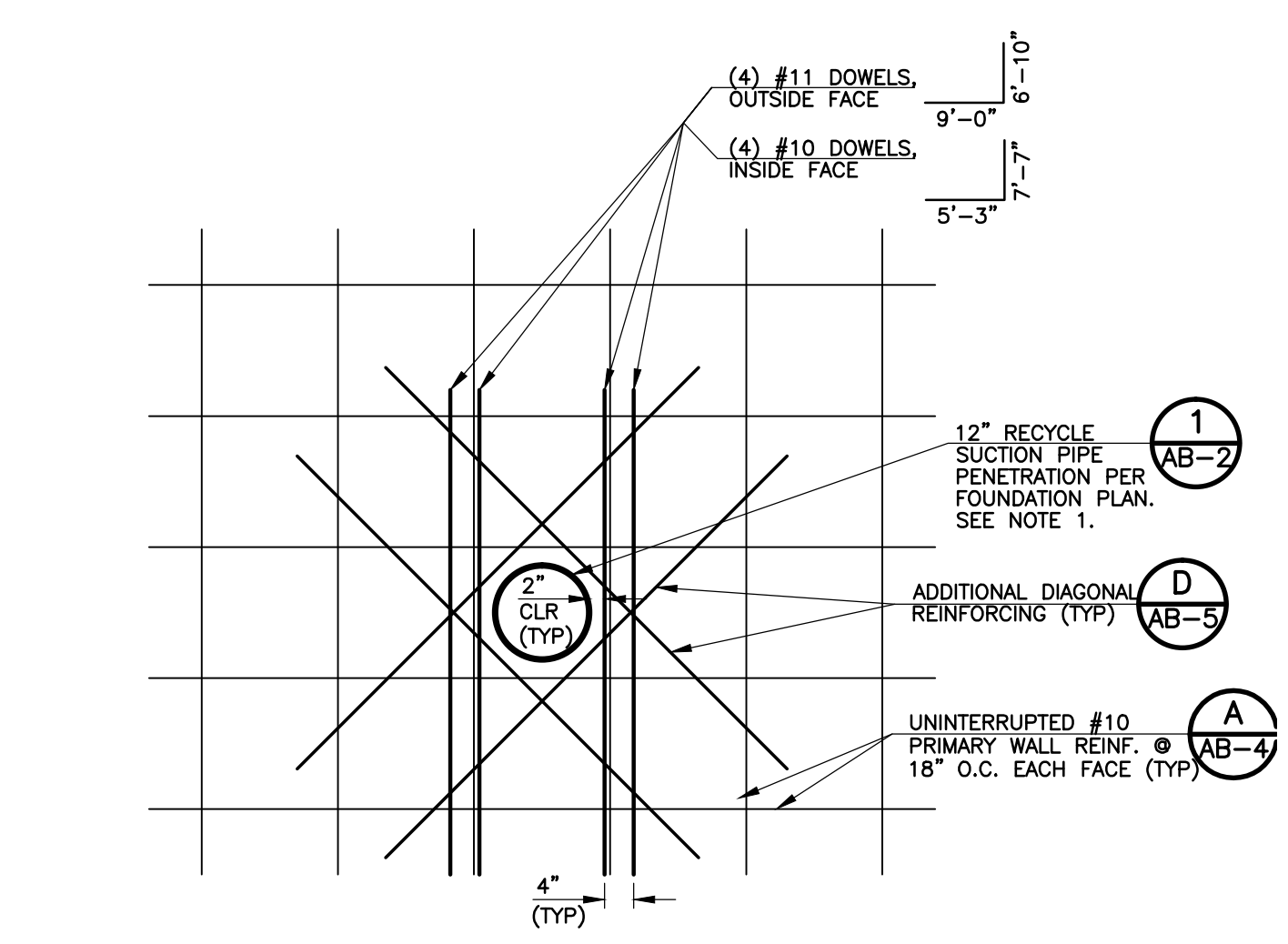
1 REINFORCING DETAIL
SCALE: NONE



2 REINFORCING DETAIL
SCALE: NONE



3 TYPICAL SLAB CONSTRUCTION JOINT DETAIL
SCALE: 1/2" = 1'-0"



4 ADDITIONAL REINFORCING DOWELS FOR AERATION BASIN RECYCLE SUCTION PIPE PENETRATIONS
SCALE: NONE

- NOTES:**
1. INFORMATION AND DETAILS SHOWN IN THIS SECTION FOR AEROBIC DIGESTER BASIN NO. 2 SIMILARLY APPLY TO AEROBIC DIGESTER BASIN NOS. 1 AND 3.
 2. THE REINFORCED CONCRETE STRUTS IN THE AERATION BASINS ARE NOT SHOWN FOR CLARITY. REFER TO SHEET AB-5 FOR STRUT DETAILS.
 3. WALL PENETRATIONS ARE NOT SHOWN FOR CLARITY. REFER TO THE STRUCTURAL PLAN FOR WALL PENETRATION REQUIREMENTS.
 4. THE PLACEMENT OF ON-SITE CLAY MATERIAL IN THE UPPER 2'-0" OF BACKFILL IS INTENDED TO ACT AS A RELATIVELY IMPERVIOUS LAYER. DO NOT PLACE CLAY MATERIAL AS UPPER 2'-0" OF BACKFILL UNDER STOOPS OR OTHER CONCRETE FLATWORK, GRAVEL SURFACING OR ASPHALT PAVEMENT AS THESE MATERIALS WILL ACT AS THE RELATIVELY IMPERVIOUS LAYER.

REVISIONS		
NO.	DATE	DESCRIPTION
1	08/24/2010	ISSUED FOR EARTHWORK QUOTE
2	12/21/2010	ISSUED FOR FOUNDATION PERMIT SUBMITTAL TO PPRBD (A-BASINS AND DIGESTERS)
3	01/07/2011	ISSUED FOR CONSTRUCTION PER PPRBD PERMIT #58954 (FDN ONLY)

THIS DRAWING IS THE PROPERTY OF GMS, INC., AND IS NOT TO BE REPRODUCED, MODIFIED OR USED FOR ANY OTHER PROJECT OR EXTENSION OF THIS PROJECT EXCEPT BY AGREEMENT WITH THIS COMPANY.

STRUCTURAL SECTIONS AND DETAILS
HAROLD D. THOMPSON REGIONAL WATER RECLAMATION FACILITY
LOWER FOUNTAIN METROPOLITAN SEWAGE DISPOSAL DISTRICT

DRAWN: MAL/MAM	GMS, INC. CONSULTING ENGINEERS 611 N. WEBER, SUITE 300 COLORADO SPRINGS, COLORADO 80903	SHEET AB-4 OF -
DESIGNED: JP		
CHECKED: MG		
DATE: 2010		
PROJECT NO. 20166.362	GMS FILE NO. 2599	

XREF FILENAME: G:\BASE DWG: G:\PLOT STYLE FILE: 1005.CTG
FILENAME: G:\FMS\20166362\AB4\AB4.DWG