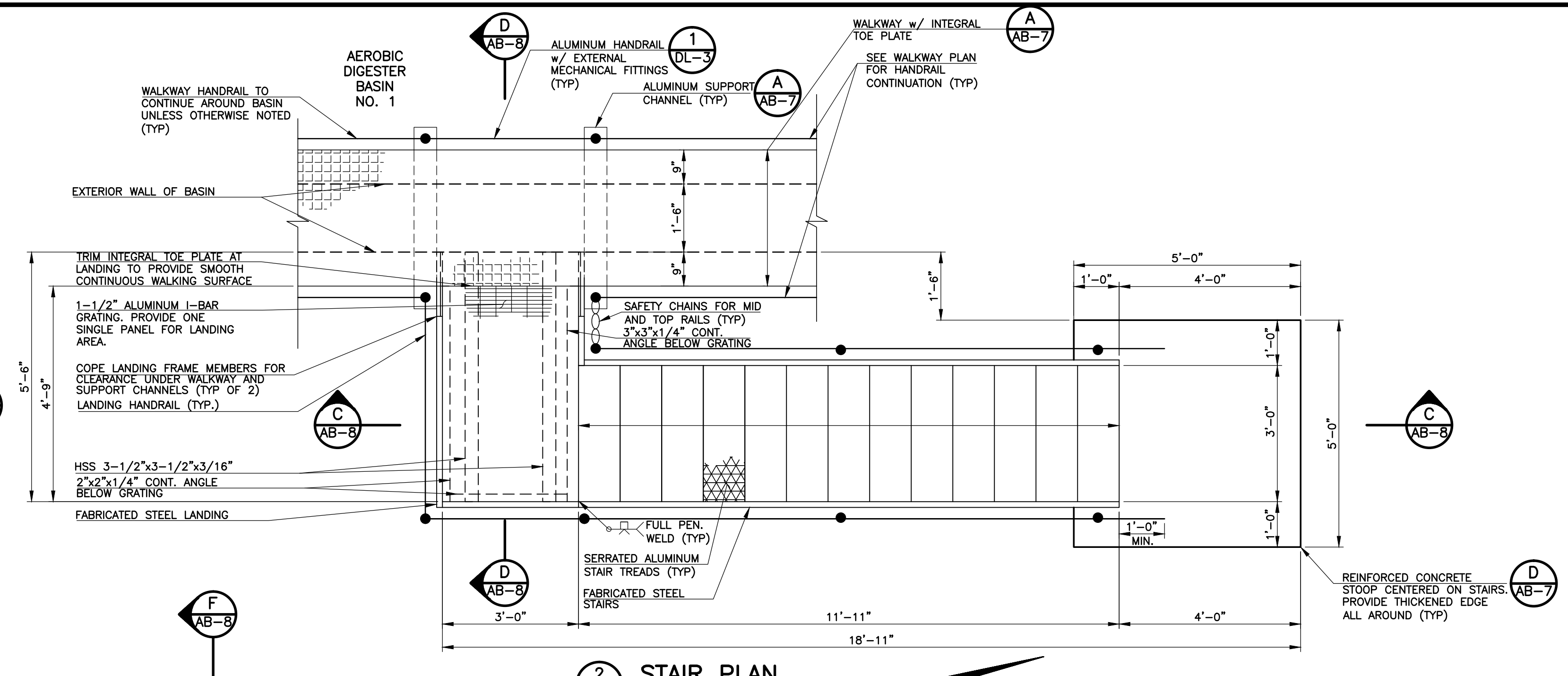
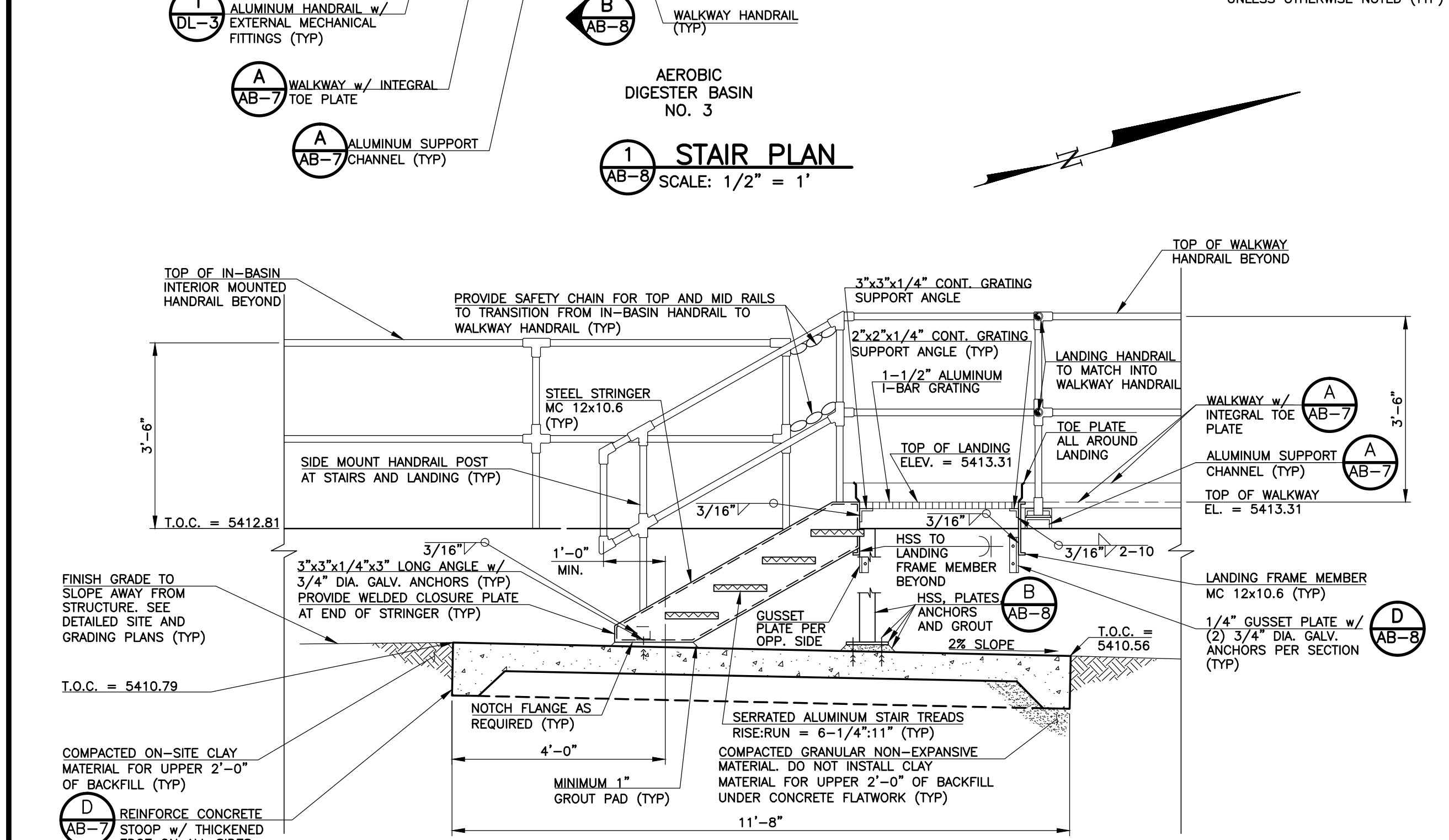


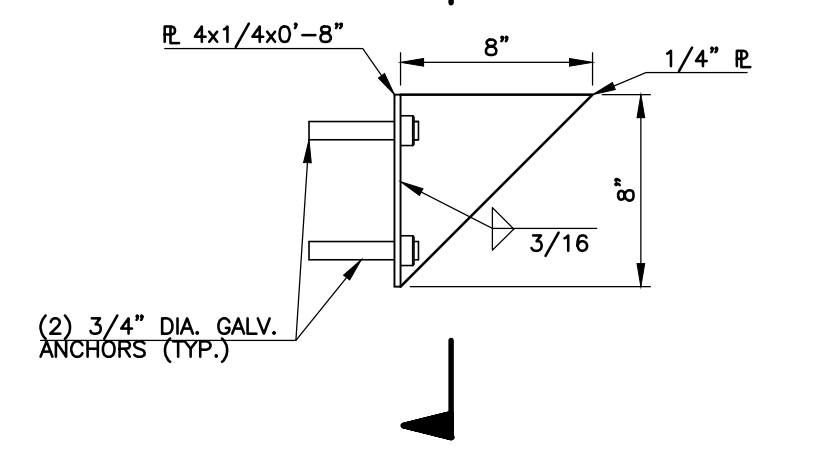
1 STAIR PLAN
SCALE: 1/2" = 1'



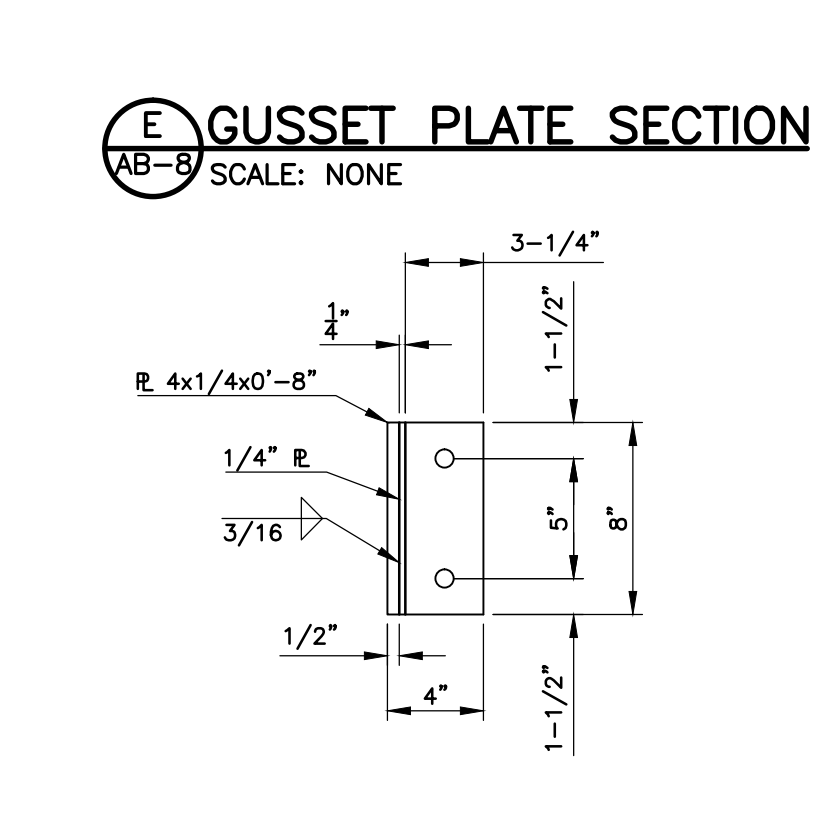
2 STAIR PLAN
SCALE: 1/2" = 1'



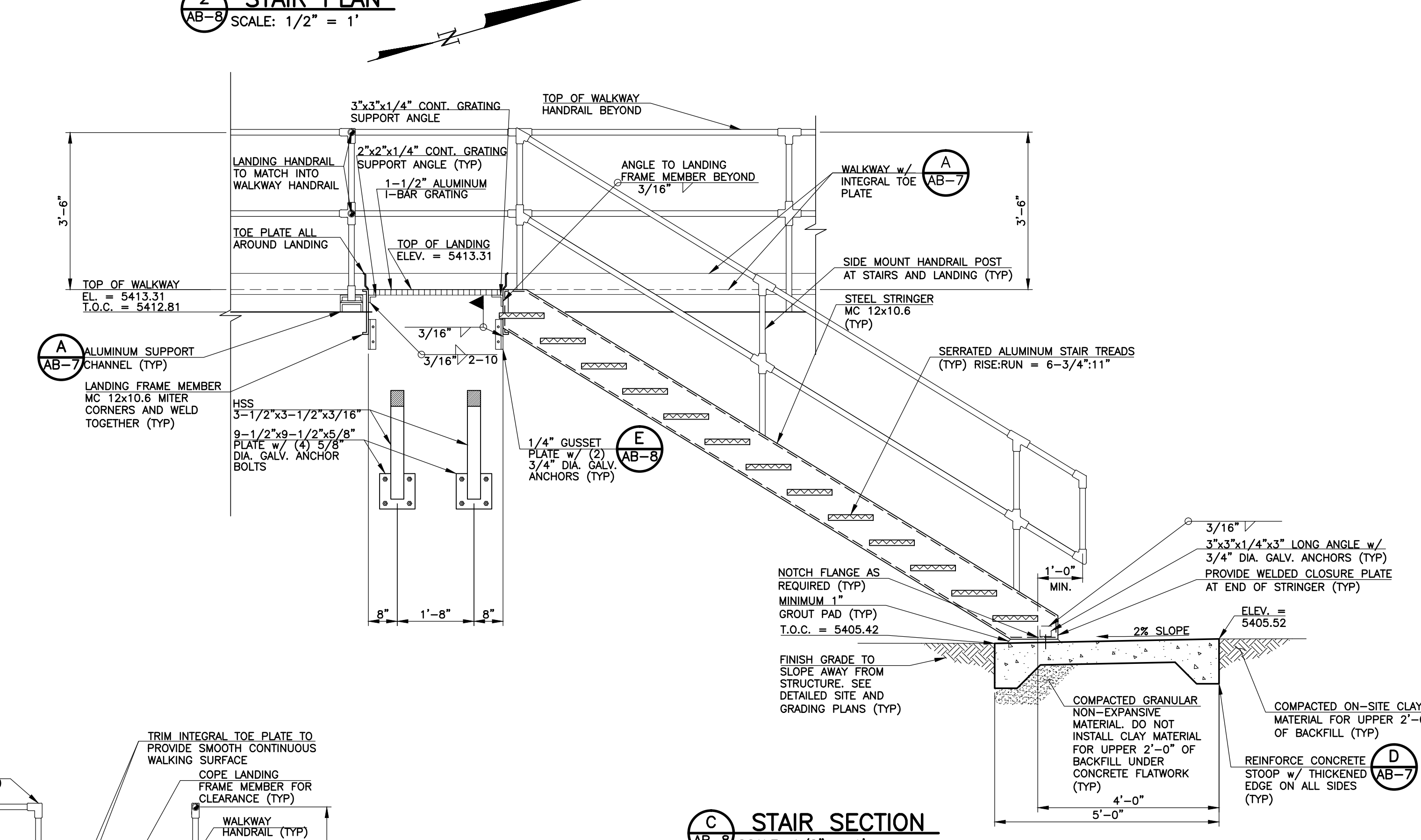
A STAIR SECTION
SCALE: 1/2" = 1'



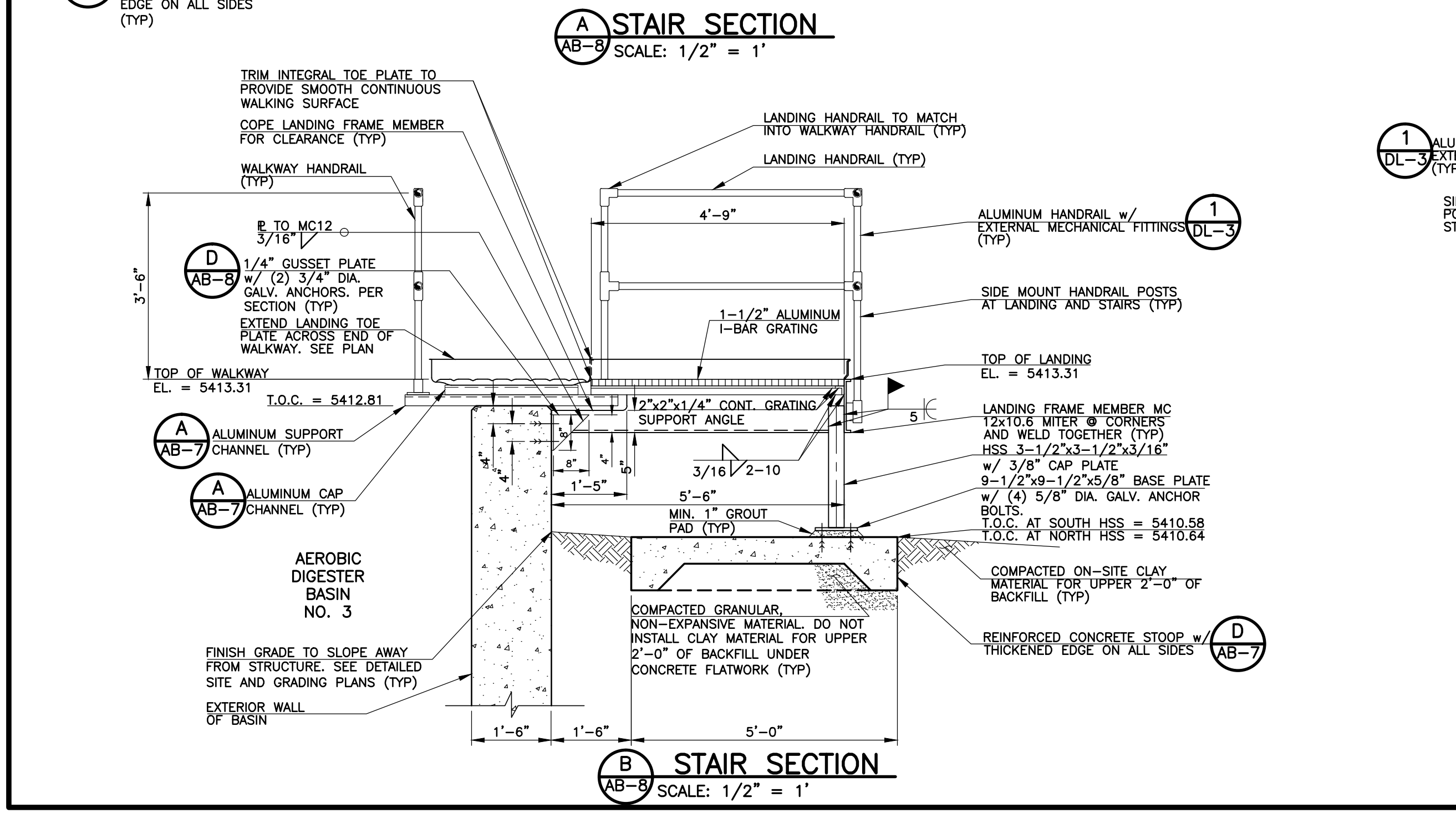
E GUSSET PLATE SECTION
SCALE: NONE



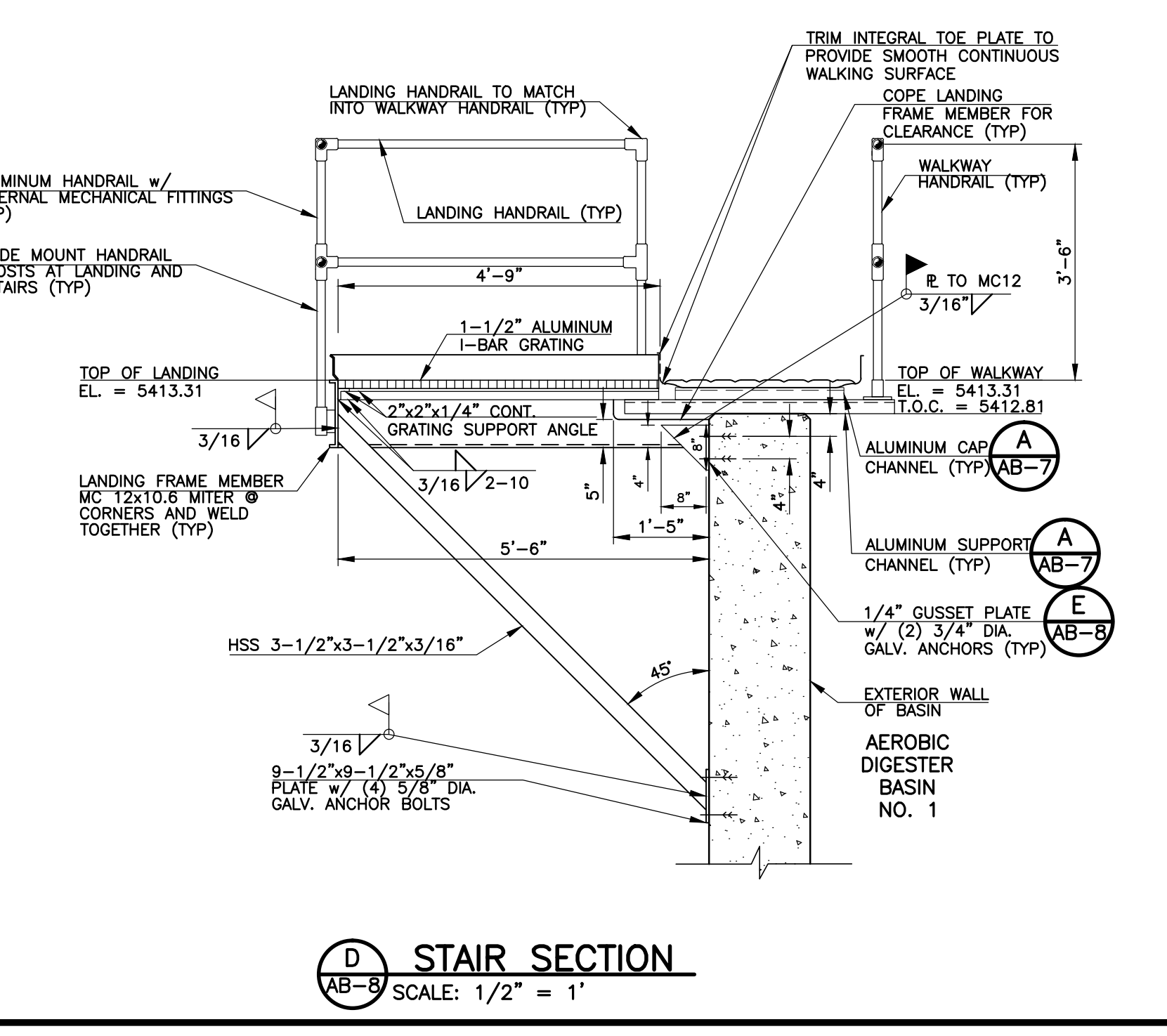
F GUSSET PLATE SECTION
SCALE: NONE



C STAIR SECTION
SCALE: 1/2" = 1'



B STAIR SECTION
SCALE: 1/2" = 1'



D STAIR SECTION
SCALE: 1/2" = 1'

SHEET NOTES:

- ALL STEEL MATERIALS OF STAIRS AND LANDINGS LOCATED OUTSIDE THE BASINS SHALL BE HOT-DIP GALVANIZED AFTER FABRICATION. ALTERNATIVELY, STEEL MATERIALS MAY BE SHOP PRIMED WITH RUST INHIBITIVE PRIMER (TNE-PRIME 37H OR EQUAL) AND FIELD PAINTED WITH TNE-EM-GLOSS 2H OR EQUAL. OWNER TO SELECT FINAL COLOR FROM MANUFACTURER'S STANDARD COLOR CHART.

REVISIONS		
NO.	DATE	DESCRIPTION
1	12/21/2010	ISSUED FOR FOUNDATION PERMIT SUBMITTAL TO PRRB (A-BASINS AND DIGESTERS)
2	01/07/2011	ISSUED FOR CONSTRUCTION PER PRRB PERMIT #58954 (FDN ONLY)

THIS DRAWING IS THE PROPERTY OF GMS, INC., AND IS NOT TO BE REPRODUCED, MODIFIED OR USED FOR ANY OTHER PROJECT OR EXTENSION OF THIS PROJECT EXCEPT BY AGREEMENT WITH THIS COMPANY.

WALKWAY DETAILS AND SECTIONS
HAROLD D. THOMPSON REGIONAL WATER RECLAMATION FACILITY
LOWER FOUNTAIN METROPOLITAN SEWAGE DISPOSAL DISTRICT

DRAWN	MAL
DESIGNED	MAM
CHECKED	RJS
DATE	2010
PROJECT NO.	20166.362
GMS FILE NO.	2599

GMS, INC.
CONSULTING ENGINEERS
611 N. WEBER, SUITE 300
COLORADO SPRINGS, COLORADO 80903

SHEET **AB-8** OF -