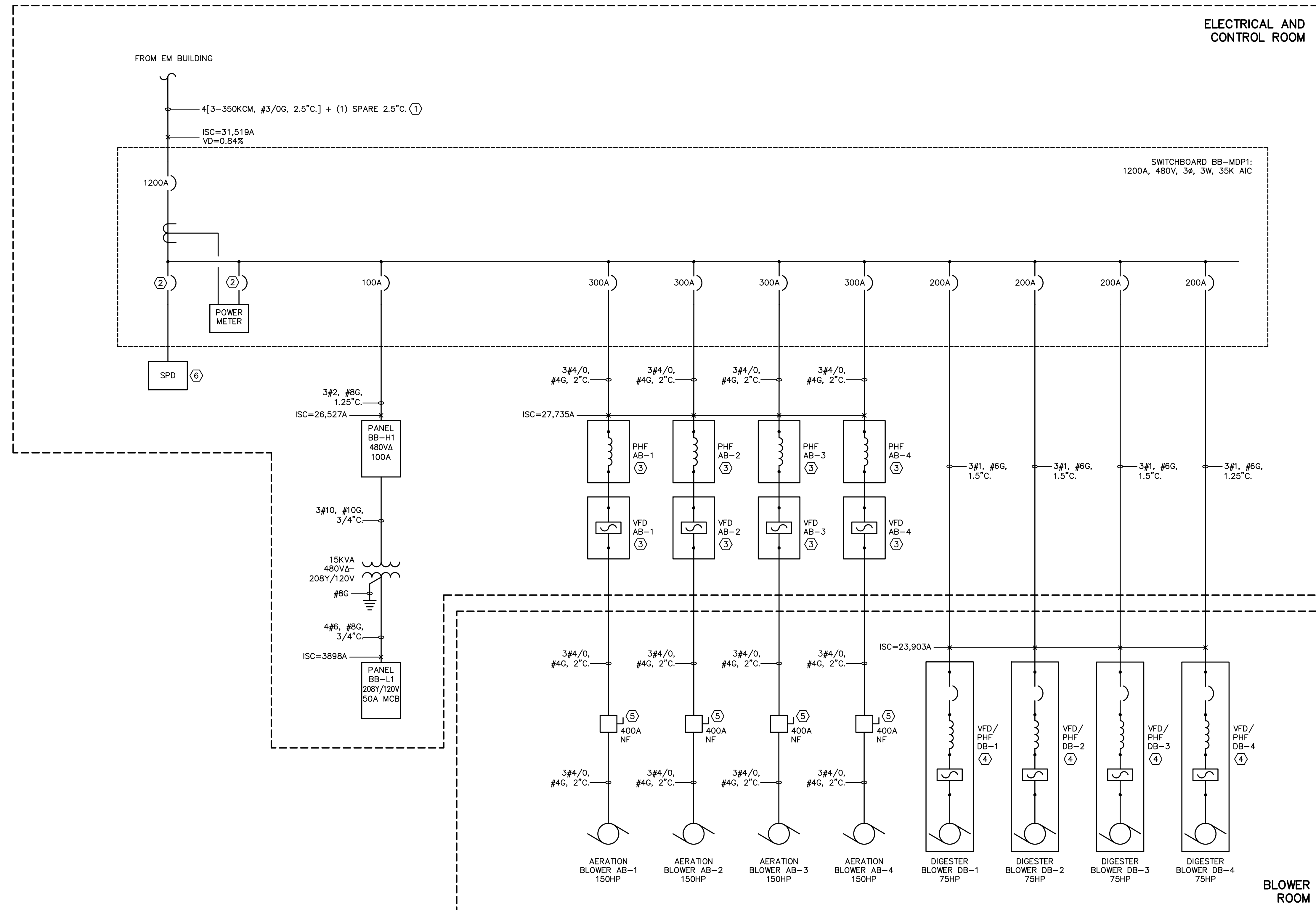


GENERAL NOTES

A. ALL CIRCUIT BREAKERS/DISCONNECT SWITCHES ARE 3 POLE, UNO.

KEYED NOTES

- ① PROVIDE PULL CORD IN SPARE CONDUIT.
- ② OVERCURRENT DEVICE AND CONDUCTORS PER MANUFACTURER'S EQUIPMENT REQUIREMENTS.
- ③ AB-1 THROUGH AB-4 VFD'S AND PASSIVE HARMONIC FILTERS (PHF) FURNISHED WITH BLOWER PACKAGES IN SEPARATE ENCLOSURES, INSTALLED BY CONTRACTOR. PROVIDE CONTROL CONNECTION FROM VFD TO FILTER, AND FROM SCADA RTU-4 TO FILTER, TO REMOVE FILTER'S CAPACITORS WHEN DRIVE IS OFF OR AT LESS THAN 50% LOAD OR 60% SPEED.
- ④ DB-1 THROUGH DB-4 VFD'S AND PASSIVE HARMONIC FILTERS (PHF) ARE FURNISHED WITH BLOWER PACKAGES AND MOUNTED IN BLOWER ENCLOSURE. PROVIDE CONTROL CONNECTION FROM VFD TO FILTER, AND FROM SCADA RTU-4 TO FILTER, TO REMOVE FILTER'S CAPACITORS WHEN DRIVE IS OFF OR AT LESS THAN 50% LOAD OR 60% SPEED.
- ⑤ PROVIDE DISCONNECT SWITCHES WITH AUXILIARY CONTACTS CONNECTED TO DRIVES TO DISABLE DRIVES WHEN DISCONNECT IS OPENED.
- ⑥ PROVIDE EXTERNALLY MOUNTED SPD UNIT.



REVISIONS		
NO.	DATE	DESCRIPTION
1	06/21/2012	ISSUED FOR BUILDING PERMIT SUBMITTAL TO PPRBD (BLOWER BUILDING)
2	07/17/2012	ISSUED FOR CONSTRUCTION PER PPRBD BLDG PERMIT NO. I29081 (BLOWER BLDG)

THIS DRAWING IS THE PROPERTY OF GMS, INC., AND IS NOT TO BE REPRODUCED, MODIFIED OR USED FOR ANY OTHER PROJECT OR EXTENSION OF THIS PROJECT EXCEPT BY AGREEMENT WITH THIS COMPANY.

ELECTRICAL ONE-LINE DIAGRAM
BLOWER BUILDING
 HAROLD D. THOMPSON REGIONAL WATER RECLAMATION FACILITY
 LOWER FOUNTAIN METROPOLITAN SEWAGE DISPOSAL DISTRICT

DRAWN MR/MAM	GMS, INC. CONSULTING ENGINEERS 611 N. WEBER, SUITE 300 COLORADO SPRINGS, COLORADO 80903	SHEET EBB-3 OF —
DESIGNED MR		
CHECKED MR		
DATE 2012		
PROJECT NO. 20166.330	GMS FILE NO. 2599	

XREF FILENAME: G:\
 BASE DWG: G:\
 PLOT STYLE FILE: 1000.ctb
 FILENAME: \\g:\lfmsdd\2016\330\EBB3\EBB3.dwg

G:\LFMSDD\2016\330\EBB3\EBB3.dwg, EBB3_1712012_143341.dwg, DWG TO PDF, A3, 1:1