

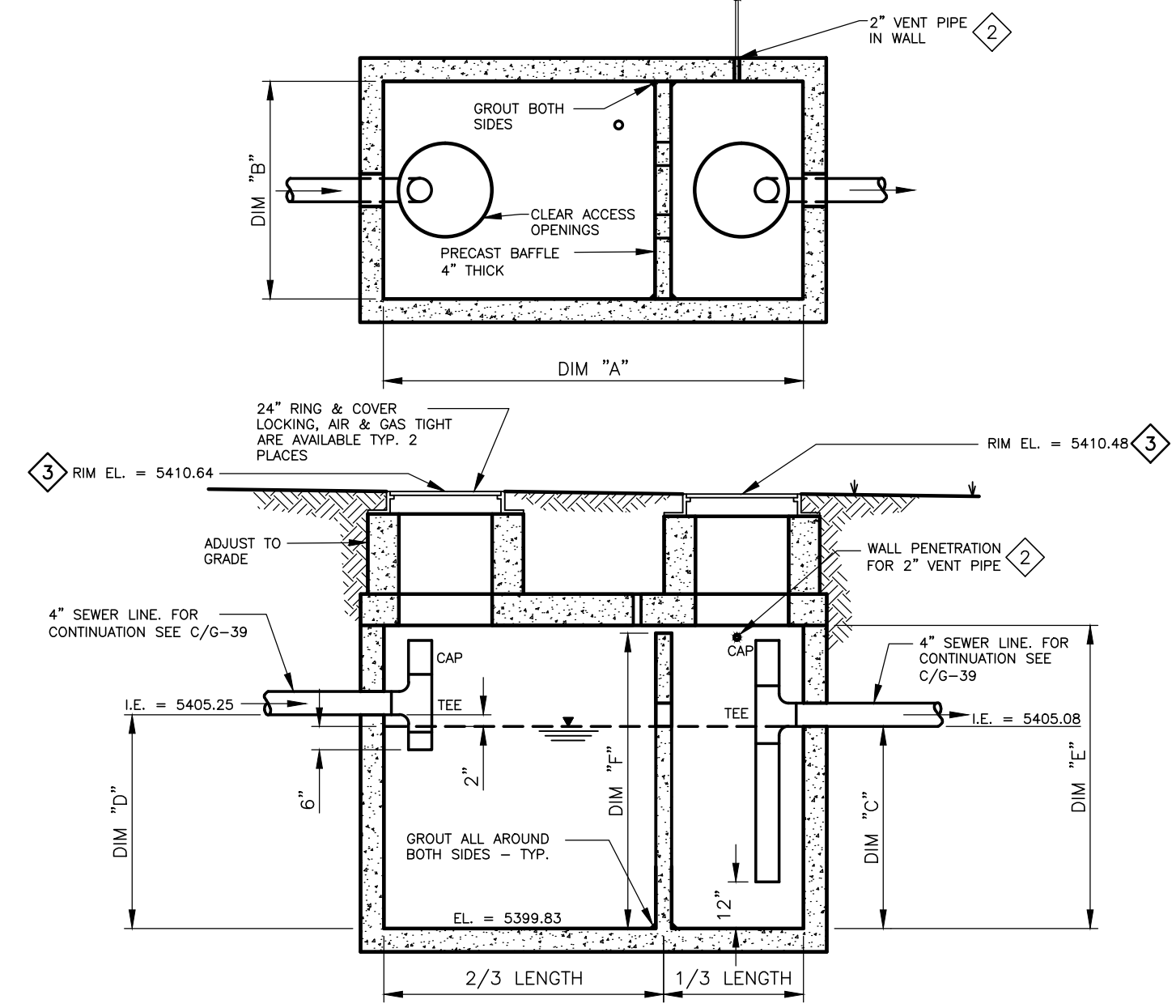
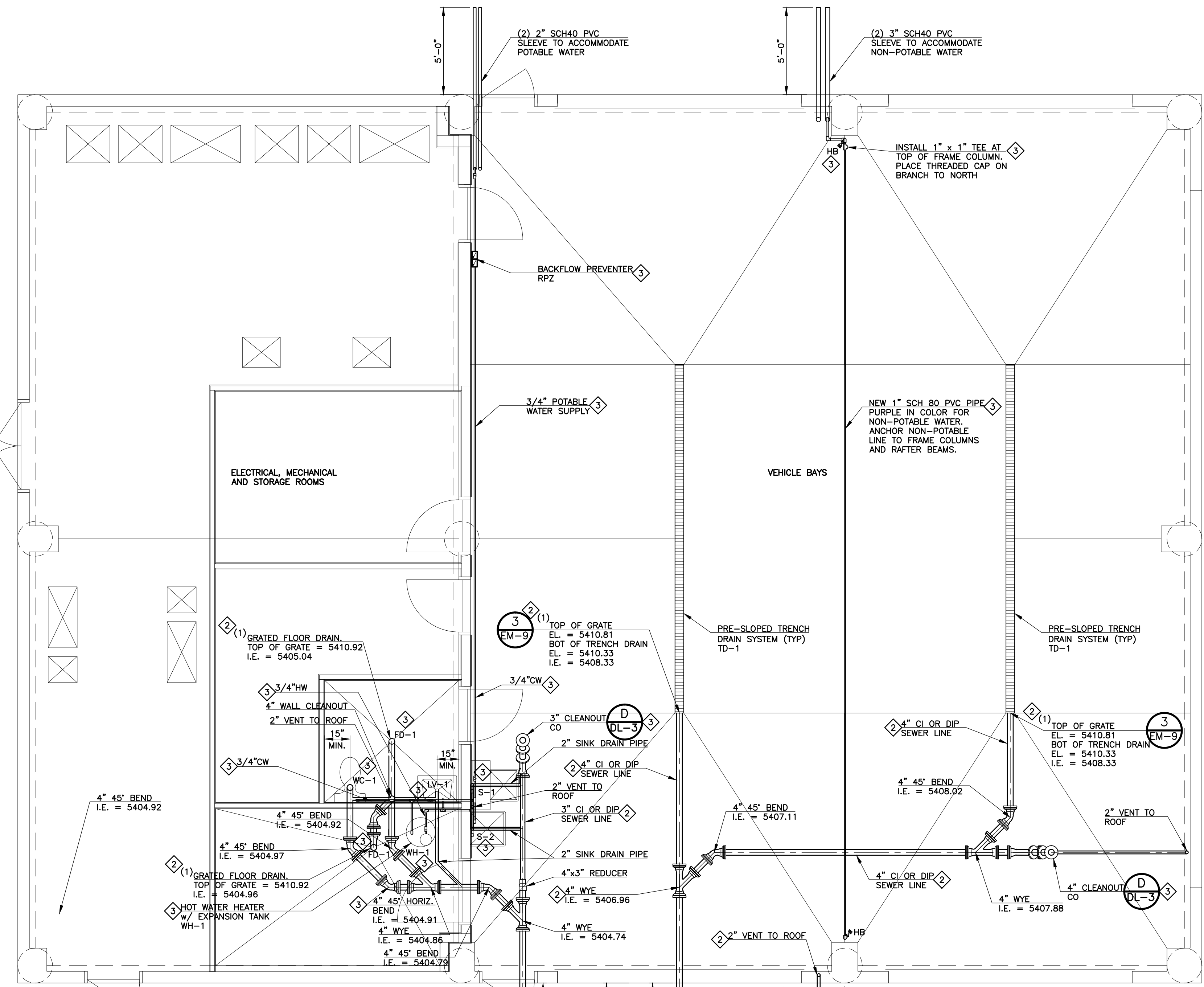
NOTE:

- COORDINATE INSTALLATION OF PLUMBING SYSTEMS WITH OTHER TRADES. OFFSET PIPING AS NECESSARY TO AVOID CONFLICTS WITH OTHER WORK AND STRUCTURAL ABOVE CEILING AND/OR BELOW FLOOR.
- VERIFY LOCATION, SIZE AND INVERT ELEVATION OF ALL EXISTING UTILITIES AT SITE PRIOR TO INSTALLATION OF ANY PIPING SYSTEMS.
- RESOLVE ALL QUESTIONS OR CONFLICTS WITH THE ENGINEER BEFORE ANY EQUIPMENT IS ORDERED, MATERIALS FABRICATED OR SYSTEMS INSTALLED.
- SEAL ROOF PENETRATIONS WATERTIGHT WITH ROOF SYSTEM COMPATIBLE WITH ROOFING.
- ALL PIPING PENETRATIONS THROUGH FLOORS SHALL BE SEALED WATER TIGHT BY GROUTING PERIMETER GAP BETWEEN PIPE AND FLOOR STRUCTURE, OR BY USING APPROVED UL SLEEVE AND SEALER SYSTEM. PENETRATIONS OF RATED WALLS SHALL USE SLEEVE WITH UL APPROVED FIRE SEALANT.
- POTABLE WATER PIPING SHALL BE SCHEDULE 80 CPVC, WHITE IN COLOR AND LABELED IN ACCORDANCE WITH THE PROJECT SPECIFICATIONS.
- NON-POTABLE WATER PIPING SHALL BE SCHEDULE 80 PVC, PURPLE IN COLOR AND LABELED IN ACCORDANCE WITH THE PROJECT SPECIFICATIONS.
- WASTE AND VENT PIPING MATERIAL SHALL BE AS INDICATED ON THE DRAWINGS. SLOPE ALL WASTE PIPING AT 1/4" PER FOOT MINIMUM UNLESS OTHERWISE NOTED.
- UNDER SLAB PLUMBING IS BEING PROVIDED FOR REVIEW BY PPRBD AS A PART OF THE FOUNDATION PLAN REVIEW. ABOVE SLAB PLUMBING AND APPURTENANCES WILL BE INCLUDED IN THE COMPLETE BUILDING PERMIT PACKAGE.

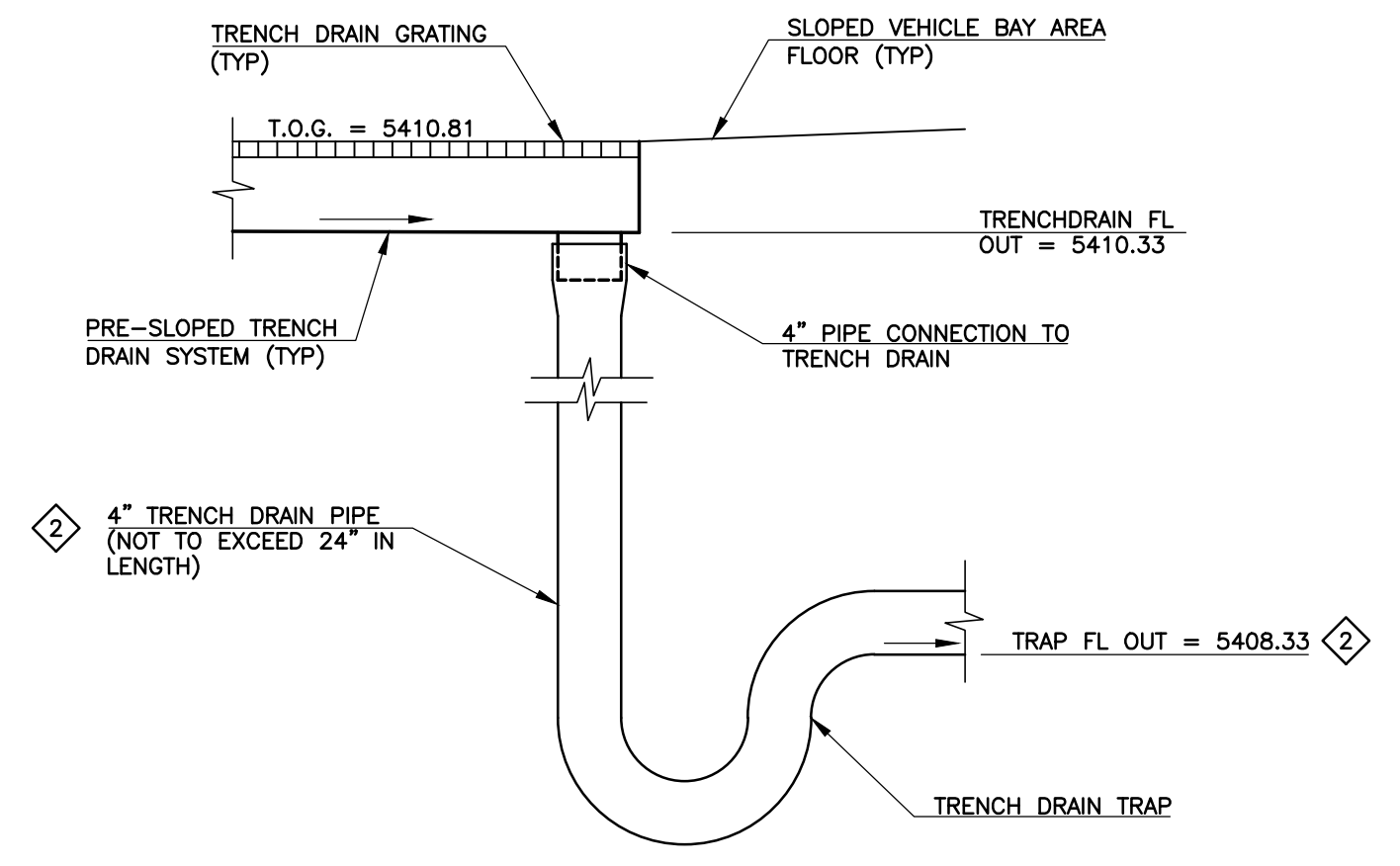
NOTES :

- NOMINAL SIZE = 1,250 GALLON
- CONCRETE = 28 DAY COMPRESSIVE STRENGTH = 4500 psi
- DESIGN: ASTM C857-87 & C858-83 MINIMUM
- LOADING: ASHOTO 15-20
- FILL W/ CLEAN WATER PRIOR TO START-UP OF SYSTEM

SIZING CHART						
GALLON CAPACITY	DIM "A"	DIM "B"	DIM "C"	DIM "D"	DIM "E"	DIM "F"
1250	8'-0"	4'-0"	5'-3"	5'-5"	6'-6"	4'-3"



2 SAND AND OIL SEPARATOR
EM-9 SCALE: NONE

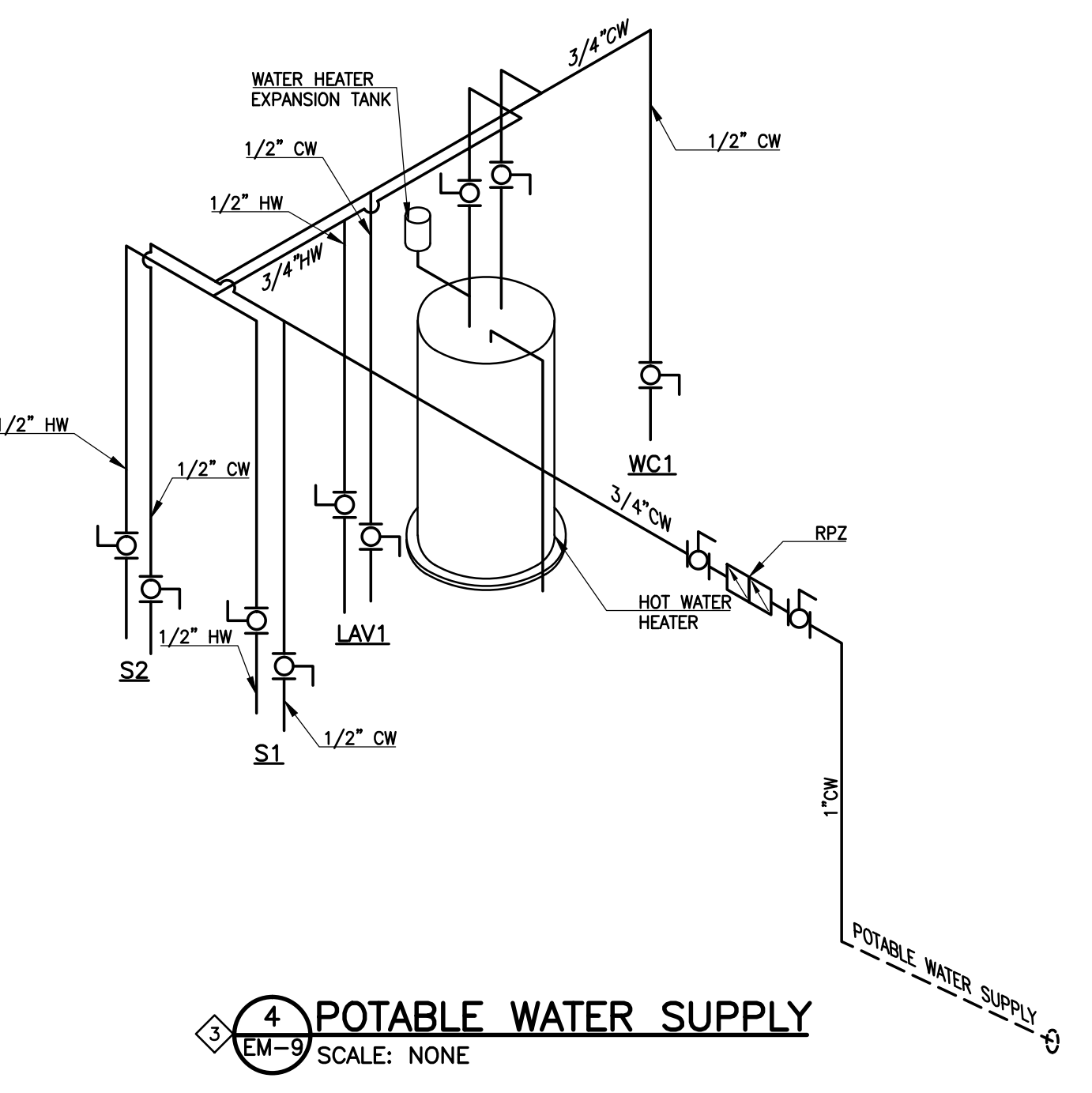


3 TRENCH DRAIN PIPING
EM-9 SCALE: NONE

4 PLUMBING FIXTURE SCHEDULE

NOTES:
 1) ADA COMPLIANT
 2) INSTALL 1/2" HANDY SHIELD INSULATION KIT ON CW, HW AND DR FOR HANDICAP
 3) PROVIDE WITH CONCEALED ARM CARRIER, MIFAB MC-41
 4) REFER MECHANICAL SCHEDULES

TAG	DESCRIPTION	NOTES
CO	CLEANOUT, ADJUSTABLE TYPE, GAS AND WATER TIGHT, CAST IRON, BRONZE TOP, 4" DR. ZURN Z1400 OR EQUAL.	
FD-1	FLOOR DRAIN, CAST IRON, FLASHING COLLAR, BRONZE TOP, FIXED GRATE, P-TRAP, 2" DR. ZURN Z415 TYPE B OR EQUAL.	5
HB	HOSE BIBB, BRASS, REMOVABLE HANDLE, PIPING MOUNTED, VACUUM BREAKER, 3/4" GHT. WATTS SERIES FH OR EQUAL. 3/4" CW.	
LV-1	TOILET ROOM SINK, WALL MOUNT, WHITE VITREOUS CHINA, 20"x18", KOHLER CHESAPEAKE MODEL K-1728 OR EQUAL. FAUCET SINGLE HANDLE, CHROME PLATED. DELTA 501 OR EQUAL. OPEN GRID DRAIN. 1-1/4" CHROME PLATED BRASS OFFSET, P-TRAP WITH CLEANOUT PLUG. 3/8" CHROME PLATED ANGLE VALVES, 1/2" CW, 1/2" HW, 2" SS, 2" V. 110" MAX. MIXING VALVE REQUIRED.	1,2,3
RPZ	BACKFLOW PREVENTER, REDUCED PRESSURE PRINCIPLE TYPE, CAST IRON, BRONZE TRIM, ZURN 975U OR EQUAL.	
S-1	STAINLESS STEEL UTILITY SINK, 430SS, 16 GAUGE, 18" LONG x 21" WIDE x 14" DEEP, SQUARE CORNER CONSTRUCTION, 38-1/2" HIGH; SINGLE COMPARTMENT; GRIFFIN LT-118 OR EQUAL.	
S-2	DURASTONE® MOP SINK/ FLOOR SINK; 24" x 24" x 10" DEEP, INTEGRAL MOLDED - IN DRAIN, WHITE, MUSTEE MODEL 63M OR EQUAL.	
TD-1	POLYCAST 600 SERIES TRENCH DRAIN WITH DURAGUARD® CHANNEL FRAME OR EQUAL.	
WC-1	WATER CLOSET, FLOOR MOUNT, TANK TYPE, ELONGATED BOWL, WHITE VITREOUS CHINA, FLOOR OUTLET. KOHLER HIGHLINE MODEL K-3427 OR EQUAL. OPEN FRONT SEAT WITH OUT COVER. 3/8" CHROME PLATED ANGLE VALVE, 1/2" CW, 3" SS, 2" V.	1
WH-1	WATER HEATER, 40-GALLON, FLOOR MOUNT, NATURAL GAS, INSULATED GLASS LINED, IMMERSION T-STAT, 3/4" RELIEF VALVE PIPED TO FLOOR, 1-GALLON EXPANSION TANK.	4



1 WASTE & VENT PIPING PLAN
EM-9 SCALE: 1/4" = 1'-0"

REVISIONS		
NO.	DATE	DESCRIPTION
1	07/28/2011	ISSUED FOR FOUNDATION PERMIT SUBMITTAL TO PPRBD (EQUIP. MAINT. AND STO. BLDG.)
2	08/24/2011	ISSUED FOR CONSTRUCTION PER PPRBD (EQUIP. MAINT. AND STO. BLDG.)
3	11/23/2011	ISSUED FOR BUILDING PERMIT SUBMITTAL TO PPRBD (EQUIP. MAINT. & STO. BLDG.)
4	01/09/2012	ISSUED FOR CONSTRUCTION PER PPRBD BUILDING PERMIT #H3002 (EQUIP. MAINT. & STO. BLDG.)

THIS DRAWING IS THE PROPERTY OF GMS, INC., AND IS NOT TO BE REPRODUCED, MODIFIED OR USED FOR ANY OTHER PROJECT OR EXTENSION OF THIS PROJECT EXCEPT BY AGREEMENT WITH THIS COMPANY.

PLUMBING PLAN
HAROLD D. THOMPSON REGIONAL WATER RECLAMATION FACILITY
LOWER FOUNTAIN METROPOLITAN SEWAGE DISPOSAL DISTRICT

DRAWN: SKC	CHECKED: DRF	DATE: 2011	PROJECT NO.: 20166.415	GMS FILE NO.: 2599
------------	--------------	------------	------------------------	--------------------

GMS, INC.
CONSULTING ENGINEERS
611 N. WEBER, SUITE 300
COLORADO SPRINGS, COLORADO 80903

SHEET **EM-9** OF **—**

G:\PLANS\2011\166415\EM-9.dwg, EML, 12/28/2012 11:48:48 AM, IFC, DWG TO PDF, PLOT, 1:1