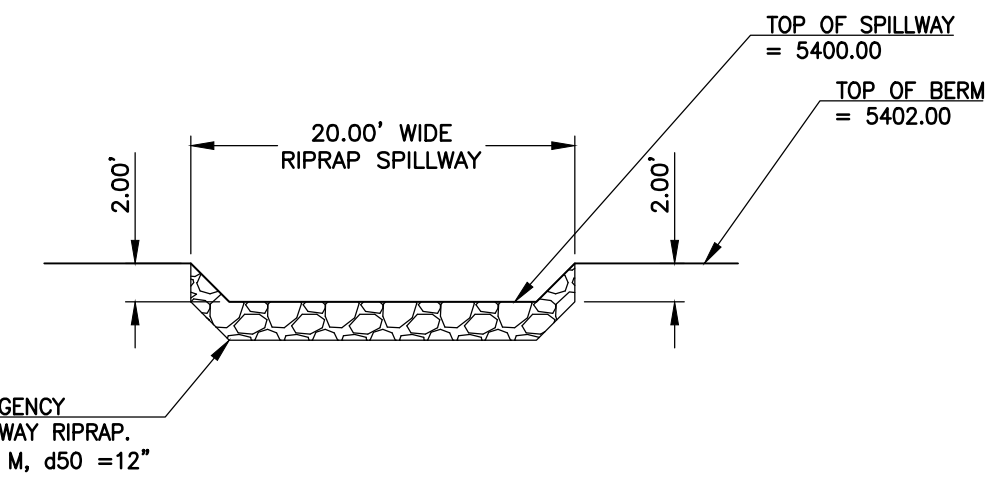
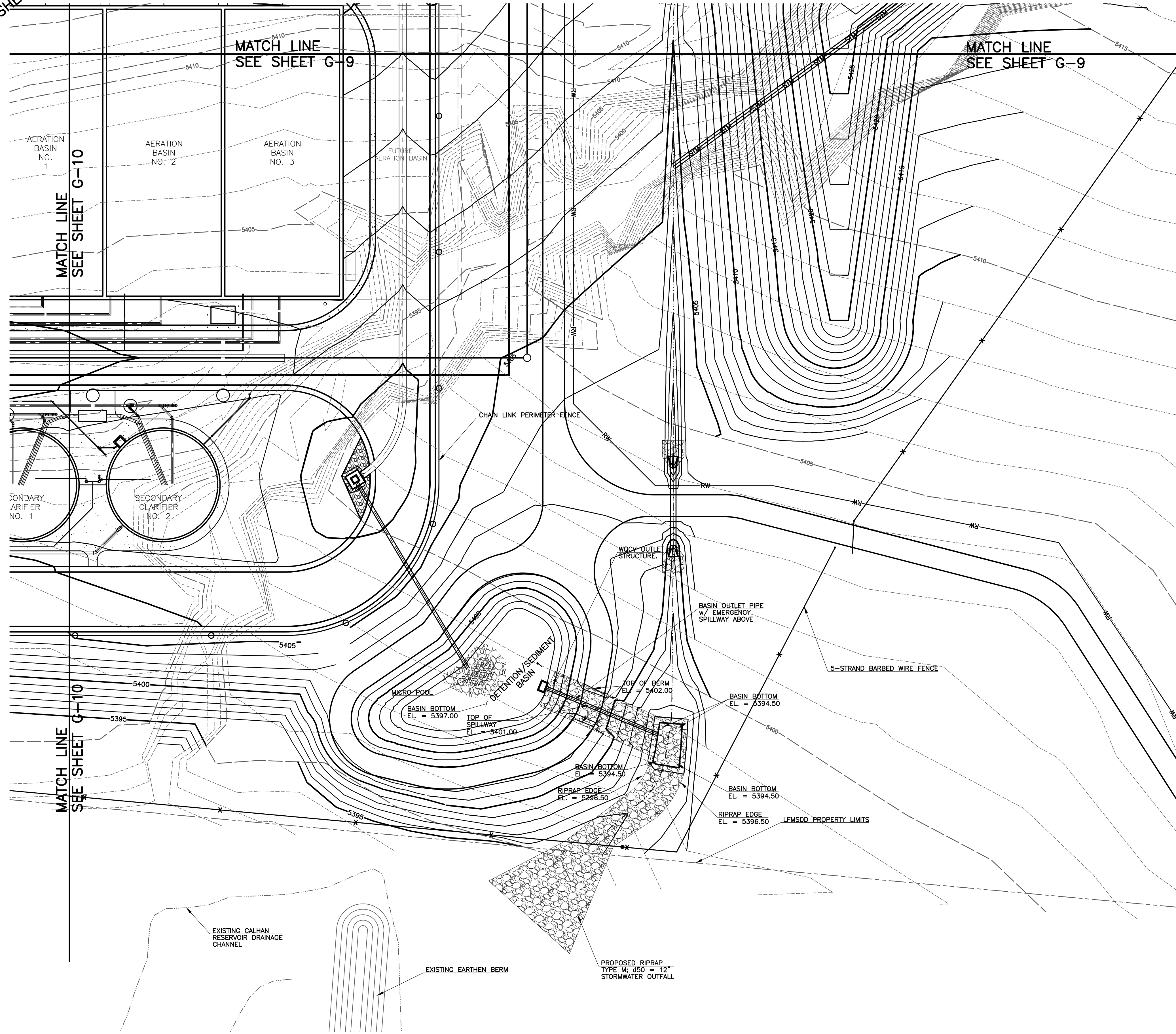
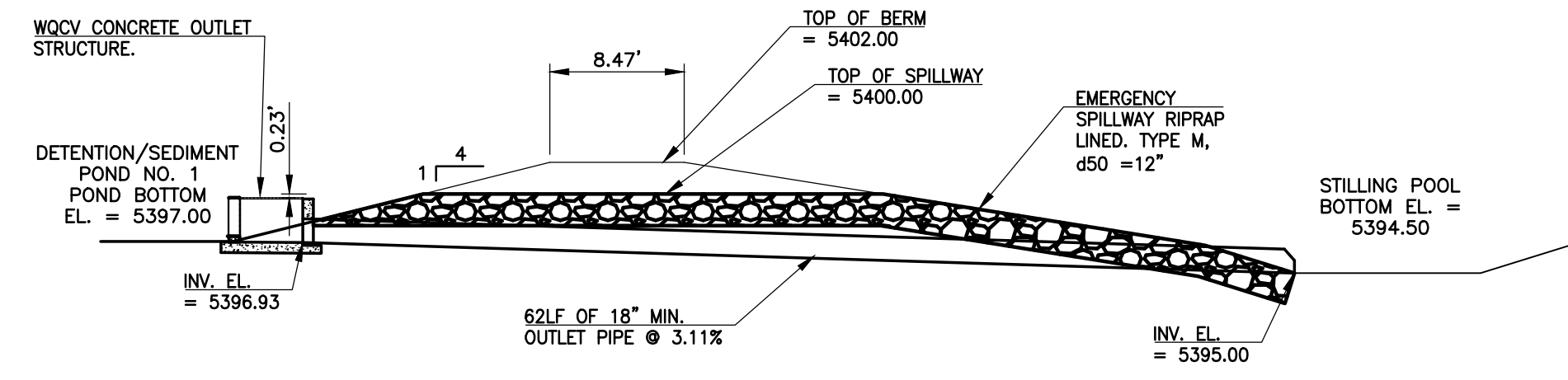


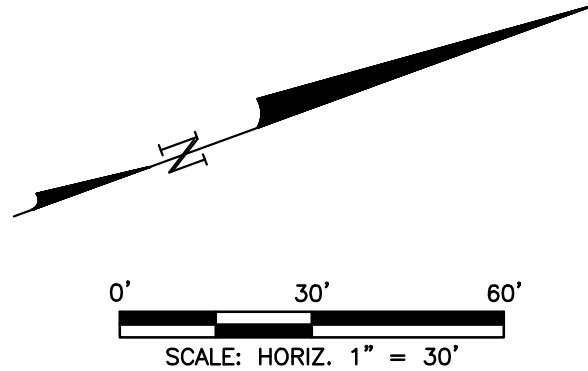
SEE SHEET G8



EMERGENCY SPILLWAY CHANNEL NO. 1 SECTION
SCALE: 1" = 10'



OUTLET STRUCTURE NO. 1 AND SPILLWAY SECTION
SCALE: 1" = 10'



REVISIONS		
NO.	DATE	DESCRIPTION
1	08/24/2010	ISSUED FOR EARTHWORK QUOTE
2	10/04/2010	REVISED AND RESUBMITTED PER EL PASO COUNTY DEVELOPMENT SERVICES COMMENTS
3	10/18/2010	REVISED AND RESUBMITTED PER EPIC DEV SERVICES COMMENTS
4	11/23/2010	REVISED FINISHED GRADES AROUND SECONDARY CLARIFIERS AND A-BASINS/DIGESTERS
5	12/21/2010	ISSUED FOR FOUNDATION PERMIT SUBMITTAL TO PPRBD (A-BASINS AND DIGESTERS)
6	01/07/2011	ISSUED FOR CONSTRUCTION PER PPRBD PERMIT #58954 (FDN ONLY)
7	01/28/2011	ISSUED FOR FOUNDATION PERMIT SUBMITTAL TO PPRBD (HEADWORKS BUILDING)
8	03/30/2011	ISSUED FOR BUILDING PERMIT SUBMITTAL TO PPRBD (SECONDARY CLARIFIER COMPLEX)
9	08/20/2011	ISSUED FOR BUILDING PERMIT SUBMITTAL TO PPRBD (HEADWORKS BUILDING)
10	07/28/2011	ISSUED FOR FOUNDATION PERMIT SUBMITTAL TO PPRBD (EQUIP. HALL AND STO. BLDG.)
11	08/05/2011	ISSUED FOR CONSTRUCTION PER PPRBD BUILDING PERMIT #88510 (HEADWORKS BLDG.)

THIS DRAWING IS THE PROPERTY OF GMS, INC., AND IS NOT TO BE REPRODUCED, MODIFIED OR USED FOR ANY OTHER PROJECT OR EXTENSION OF THIS PROJECT EXCEPT BY AGREEMENT WITH THIS COMPANY.

DETAILED SITE AND GRADING PLAN IV
HAROLD D. THOMPSON REGIONAL WATER RECLAMATION FACILITY
LOWER FOUNTAIN METROPOLITAN SEWAGE DISPOSAL DISTRICT

DRAWN	SLB
DESIGNED	MAM
CHECKED	R/S
DATE	2010
PROJECT NO.	20166.306
GMS FILE NO.	2599

GMS, INC.
CONSULTING ENGINEERS
611 N. WEBER, SUITE 300
COLORADO SPRINGS, COLORADO 80903

SHEET **G-11** OF **11**

XREF FILENAME: G:\BASE DWG: G:\PLOT STYLE FILE: 1055.DCTH
FILENAME: G:\PMSDD\20166\306\G11\G11.DWG

G:\PMSDD\20166\306\G11\G11.dwg, 24x36, 8/20/11 10:43:50 AM, GMS, INC. DWG TO PDF, 1:1