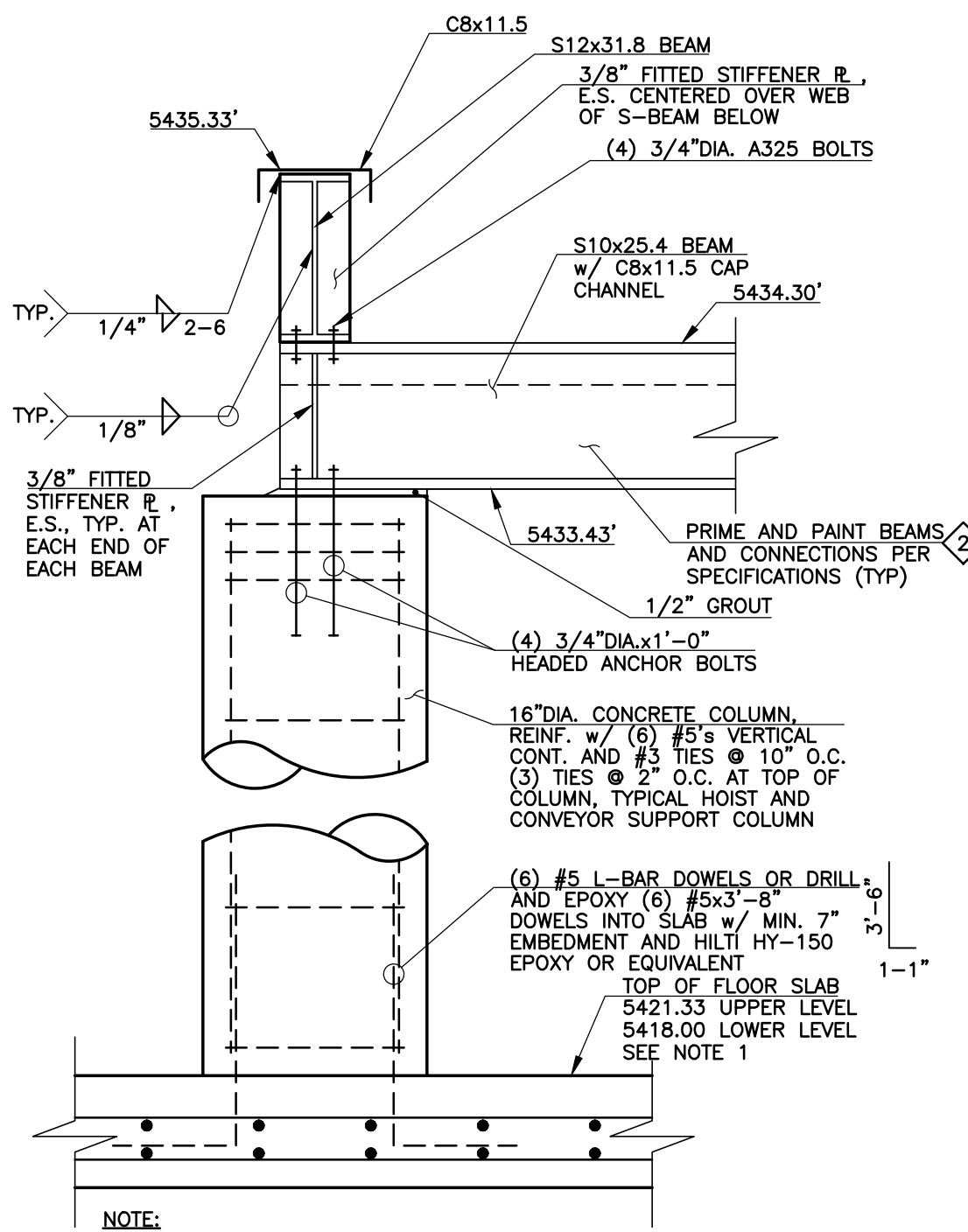


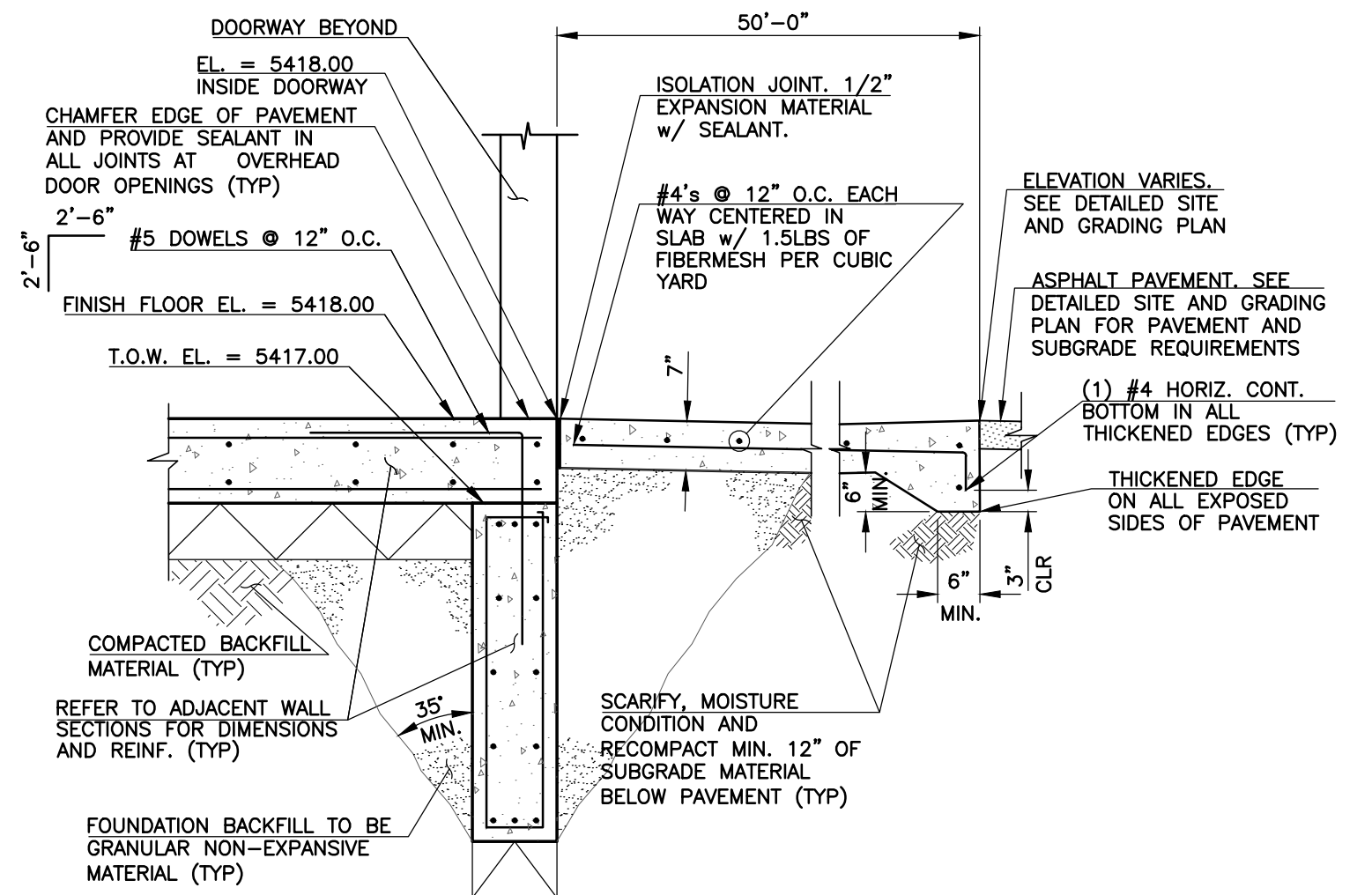
- NOTES:
- SEE ARCHITECTURAL PLANS FOR DETAILED DOOR AND WINDOW INFORMATION.
 - T.O.S. = TOP OF STEEL
 - B.O.S. = BOTTOM OF STEEL
 - HIP ROOF ARRANGEMENT IS NOT SHOWN ENTIRELY ON SOUTH SIDE OF BUILDING IN ORDER TO SHOW ELECTRICAL AND CONTROL ROOM DETAILS. THE SAME HIP ARRANGEMENT SHOWN FOR THE NORTH SIDE OF BUILDING SHALL APPLY TO THE SOUTH SIDE OF THE BUILDING AS WELL.
 - ALL LINTELS SHALL BEAR A MINIMUM OF 6" ON EACH SIDE OF OPENING. TRUSS MANUFACTURER SHALL DESIGN AND SPECIFY ALL TRUSS-TO-TRUSS CONNECTIONS.

- THE PRE-ENGINEERED TRUSS SUPPLIER SHALL PROVIDE A COMPLETE SUBMITTAL PACKAGE FOR ALL COMPONENTS OF THE WOOD TRUSSES, INCLUDING STRUCTURAL DESIGN CALCULATIONS SIGNED AND SEALED BY A REGISTERED PROFESSIONAL ENGINEER, COMPLETE FABRICATION DETAILS, MATERIALS LISTS, LAYOUT DRAWINGS, DETAILED INSTALLATION DRAWINGS AND APPLICABLE MATERIAL AND COATING SPECIFICATIONS. ALL COMPONENTS SHALL BE DESIGNED, FABRICATED AND INSTALLED TO THE REGULATIONS AND REQUIREMENTS OF THE Pikes Peak REGIONAL BUILDING DEPARTMENT AND THE 2003 EDITION OF THE INTERNATIONAL BUILDING CODE.
- TRUSSES PENDING - TRUSS ENGINEERING MUST BE SUBMITTED TO PPRBD A MINIMUM 1 WEEK PRIOR TO FRAME INSPECTION. PRIOR STAMPED COPY OF STRUCTURAL PLANS MUST ACCOMPANY ENGINEERING. SUBMITTAL MUST INCLUDE A TRUSS LAYOUT STAMPED BY A DESIGN PROFESSIONAL WITH ALL NECESSARY HARDWARE TO RESIST UPLIFT. ALL GIRDER TRUSSES MUST BE LABELED ACCORDING TO NUMBER OF PLYS AND BOTTOM CHORD CONSTRUCTION. TRUSSES PENDING CANNOT BE WALKED THROUGH.

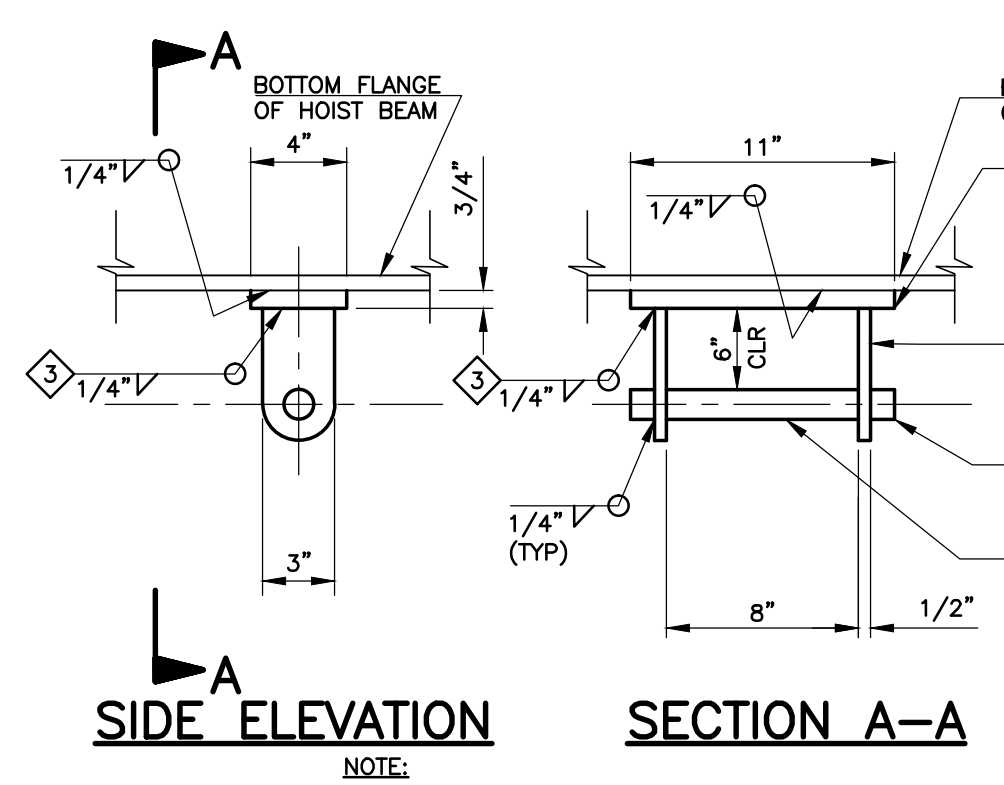
1 HEADWORKS BUILDING ROOF FRAMING PLAN
 HW-11 SCALE: 1" = 5'



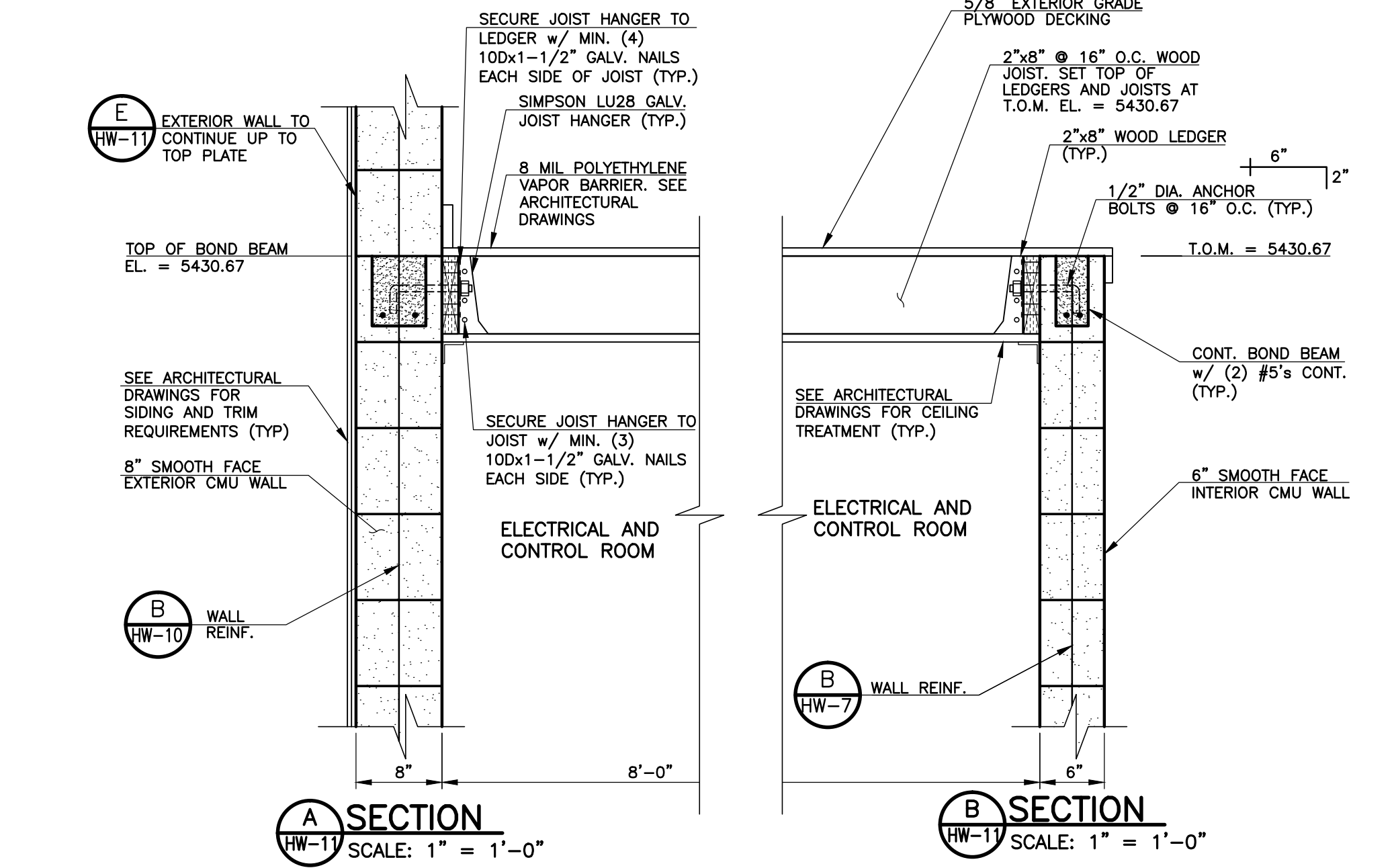
F SECTION
 HW-11 SCALE: 1" = 1'-0"



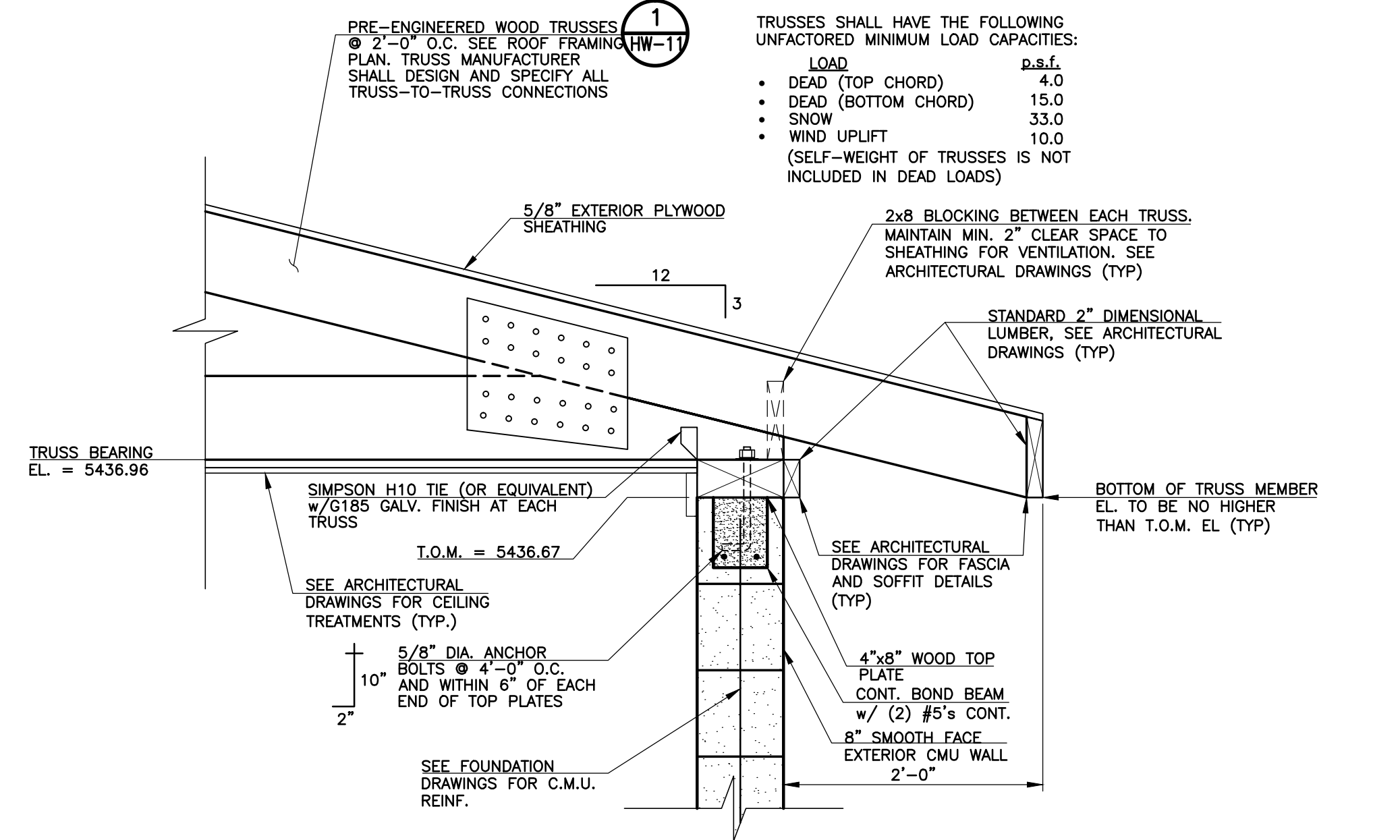
G PAVEMENT SECTION AT OVERHEAD DOOR OPENING
 HW-11 SCALE: 1/2" = 1'-0"



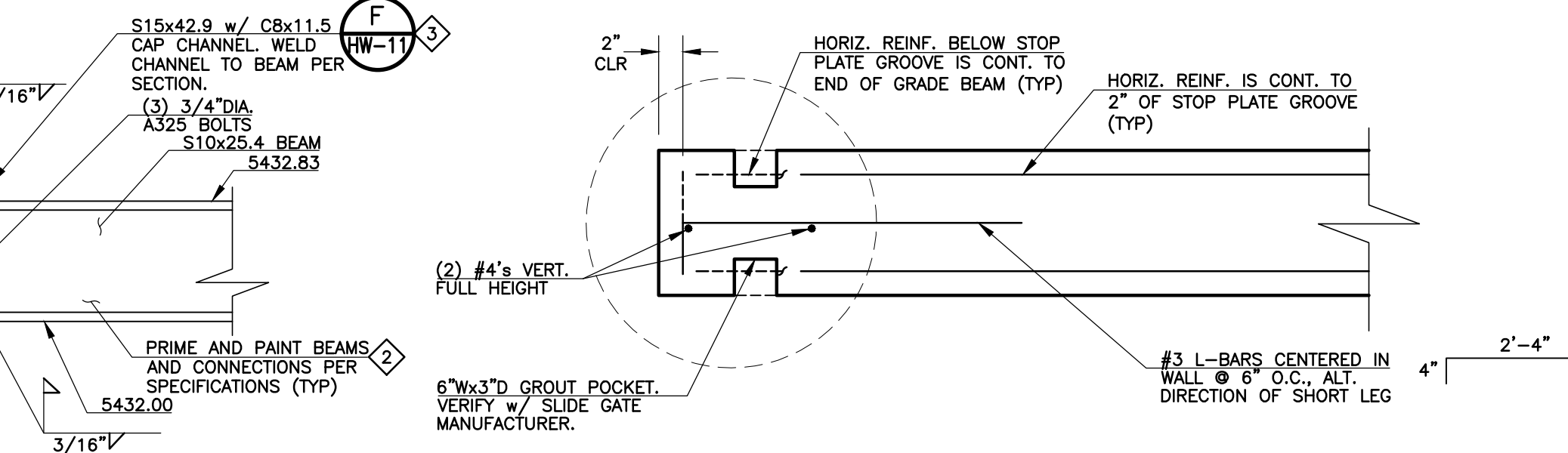
A SIDE ELEVATION SECTION A-A
 HW-11 SCALE: 1-1/2" = 1'-0"



A SECTION B SECTION
 HW-11 SCALE: 1" = 1'-0"



C SECTION
 HW-11 SCALE: 1" = 1'-0"



I SECTION J ADDITIONAL WALL REINF. AT CHANNEL SLIDE GATE GROOVES
 HW-11 SCALE: 1" = 1'-0"

REVISIONS		
NO.	DATE	DESCRIPTION
1	01/28/2011	ISSUED FOR FOUNDATION PERMIT SUBMITTAL TO PPRBD (HEADWORKS)
2	04/08/2011	ISSUED FOR PREPARATION OF CMD
3	05/17/2011	ISSUED FOR PREPARATION OF CMD
4	06/20/2011	ISSUED FOR BUILDING PERMIT SUBMITTAL TO PPRBD (HEADWORKS BUILDING)
5	08/05/2011	ISSUED FOR CONSTRUCTION PER PPRBD BUILDING PERMIT #6810 (HEADWORKS BLDG)

THIS DRAWING IS THE PROPERTY OF GMS, INC., AND IS NOT TO BE REPRODUCED, MODIFIED OR USED FOR ANY OTHER PROJECT OR EXTENSION OF THIS PROJECT EXCEPT BY AGREEMENT WITH THIS COMPANY.

ROOF FRAMING PLAN AND STRUCTURAL SECTIONS
 HAROLD D. THOMPSON REGIONAL WATER RECLAMATION FACILITY
 LOWER FOUNTAIN METROPOLITAN SEWAGE DISPOSAL DISTRICT

DRAWN: MAM/SKC
 DESIGNED: JP/MG
 CHECKED: MG
 DATE: 2010
 PROJECT NO.: 20166.352
 GMS FILE NO.: 2599

GMS, INC.
 CONSULTING ENGINEERS
 611 N. WEBER, SUITE 300
 COLORADO SPRINGS, COLORADO 80903

SHEET **HW-11** OF -