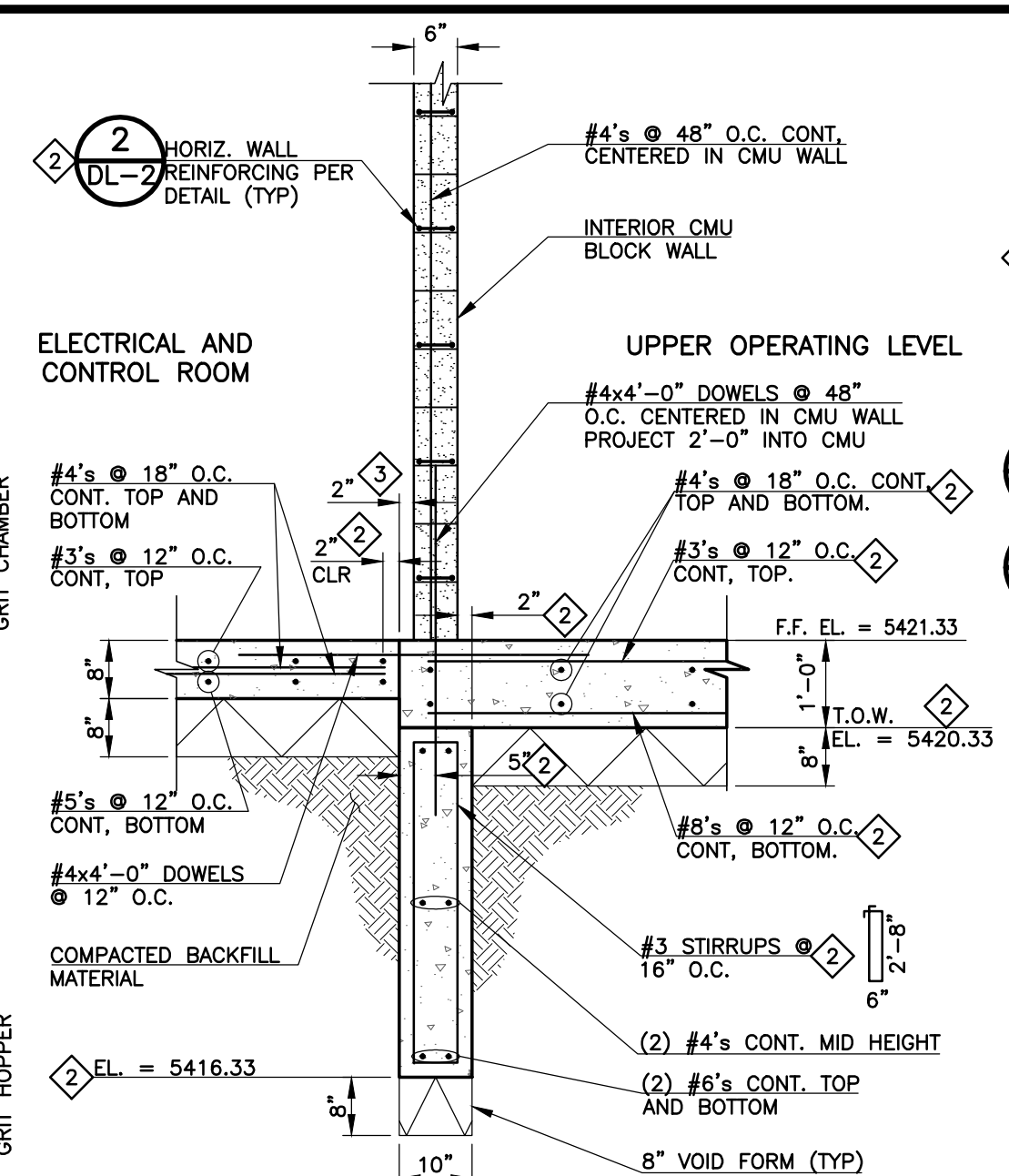
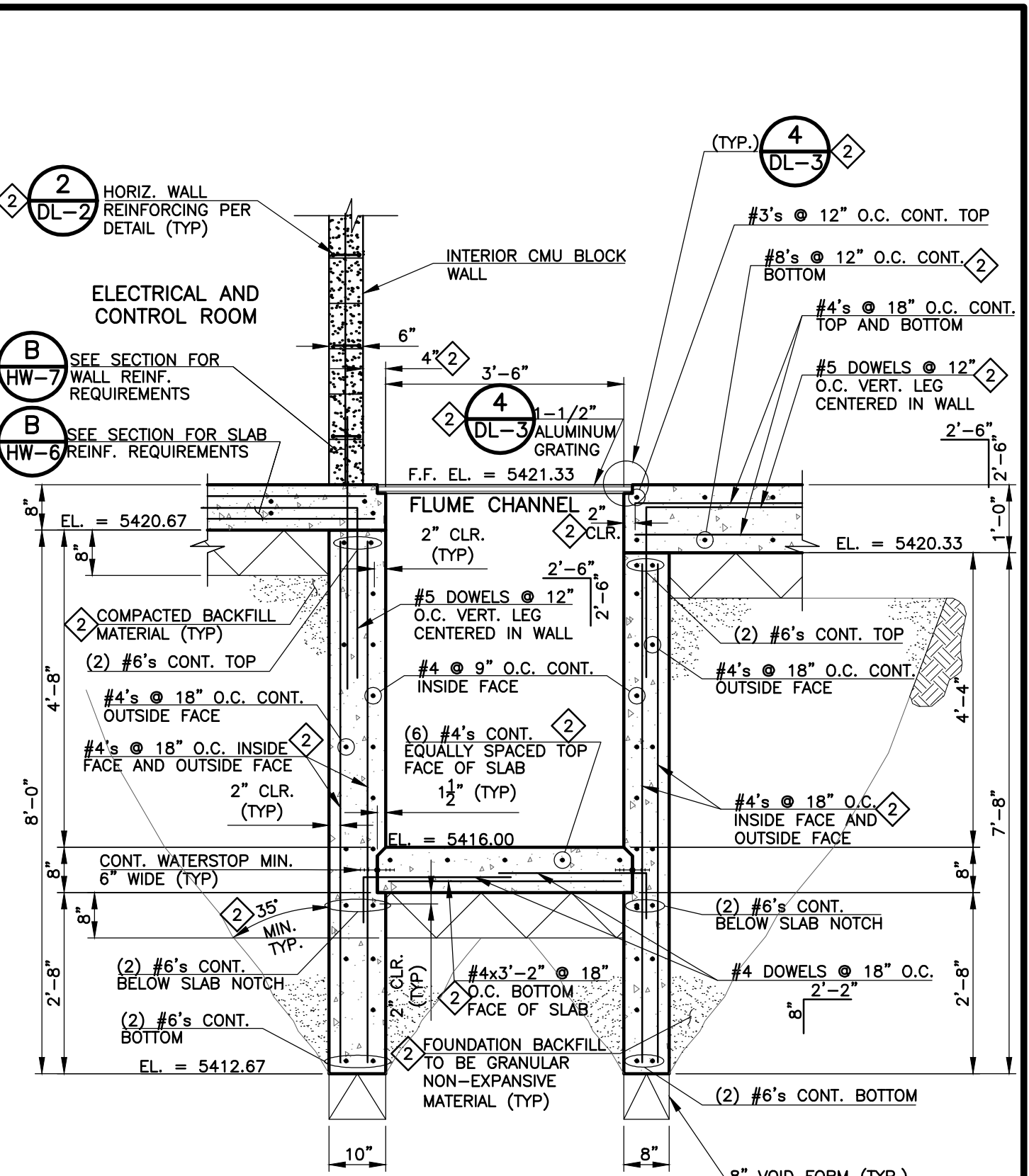


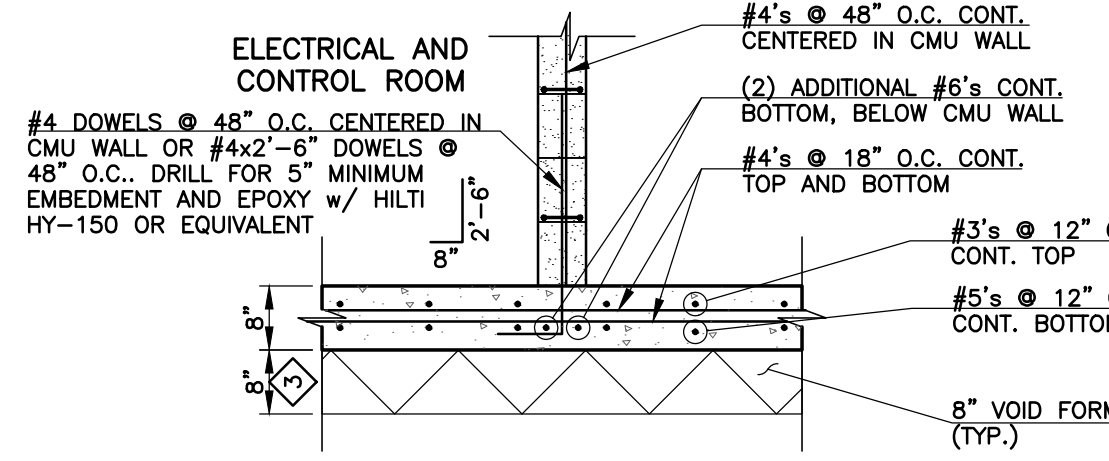
A SECTION
SCALE: 1/2" = 1'-0"



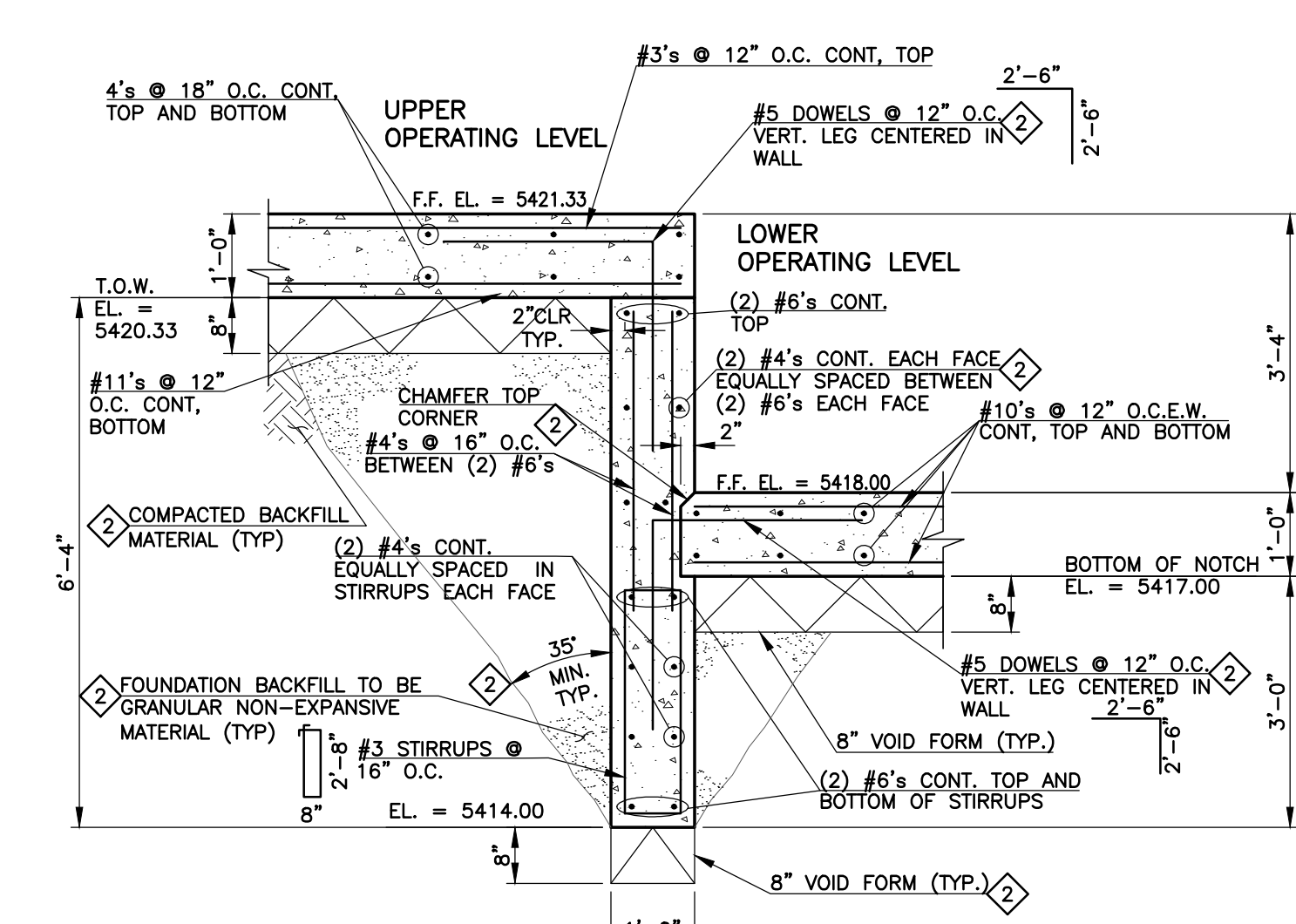
B SECTION
SCALE: 1/2" = 1'-0"



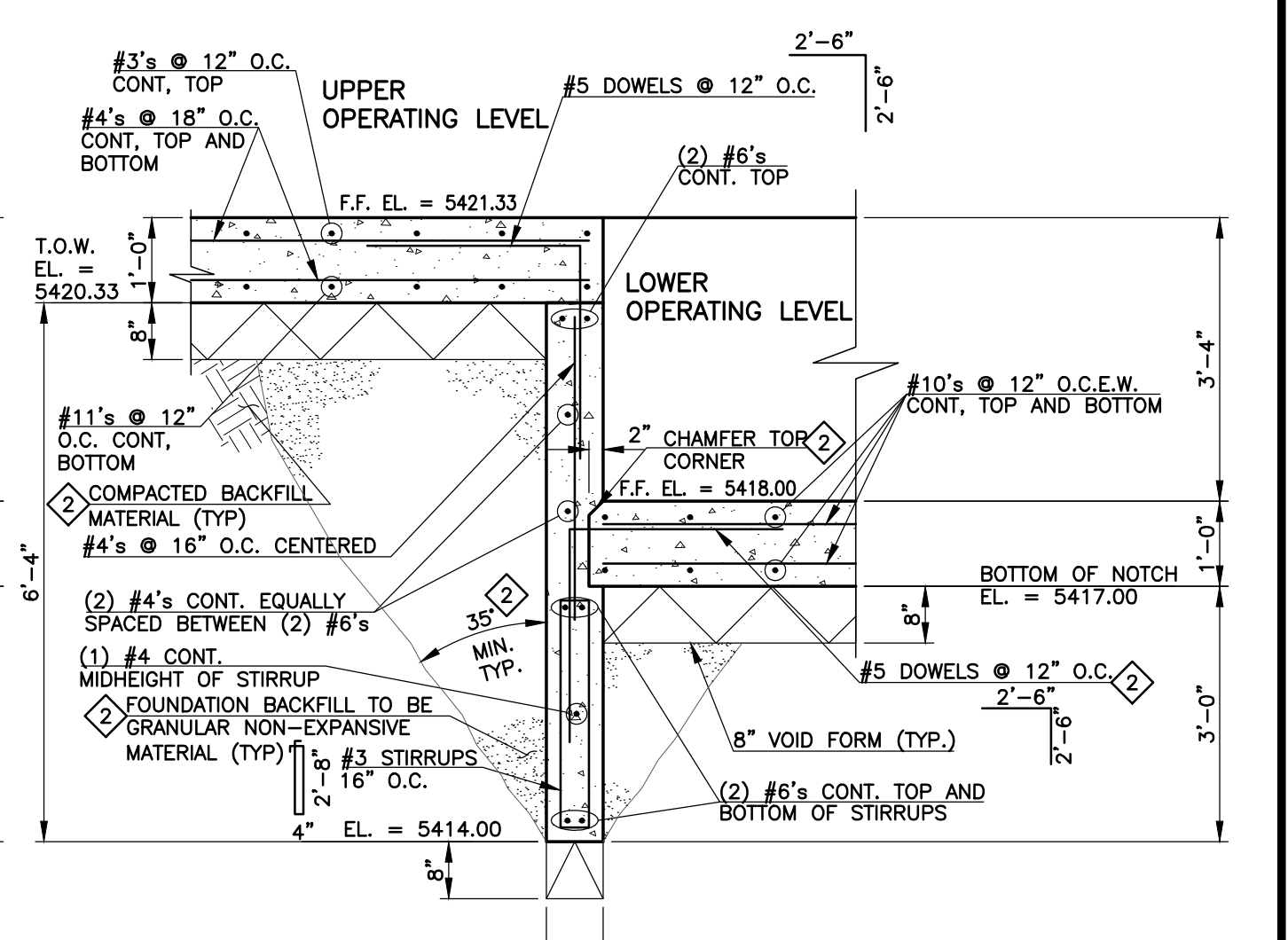
C SECTION
SCALE: 1/2" = 1'-0"



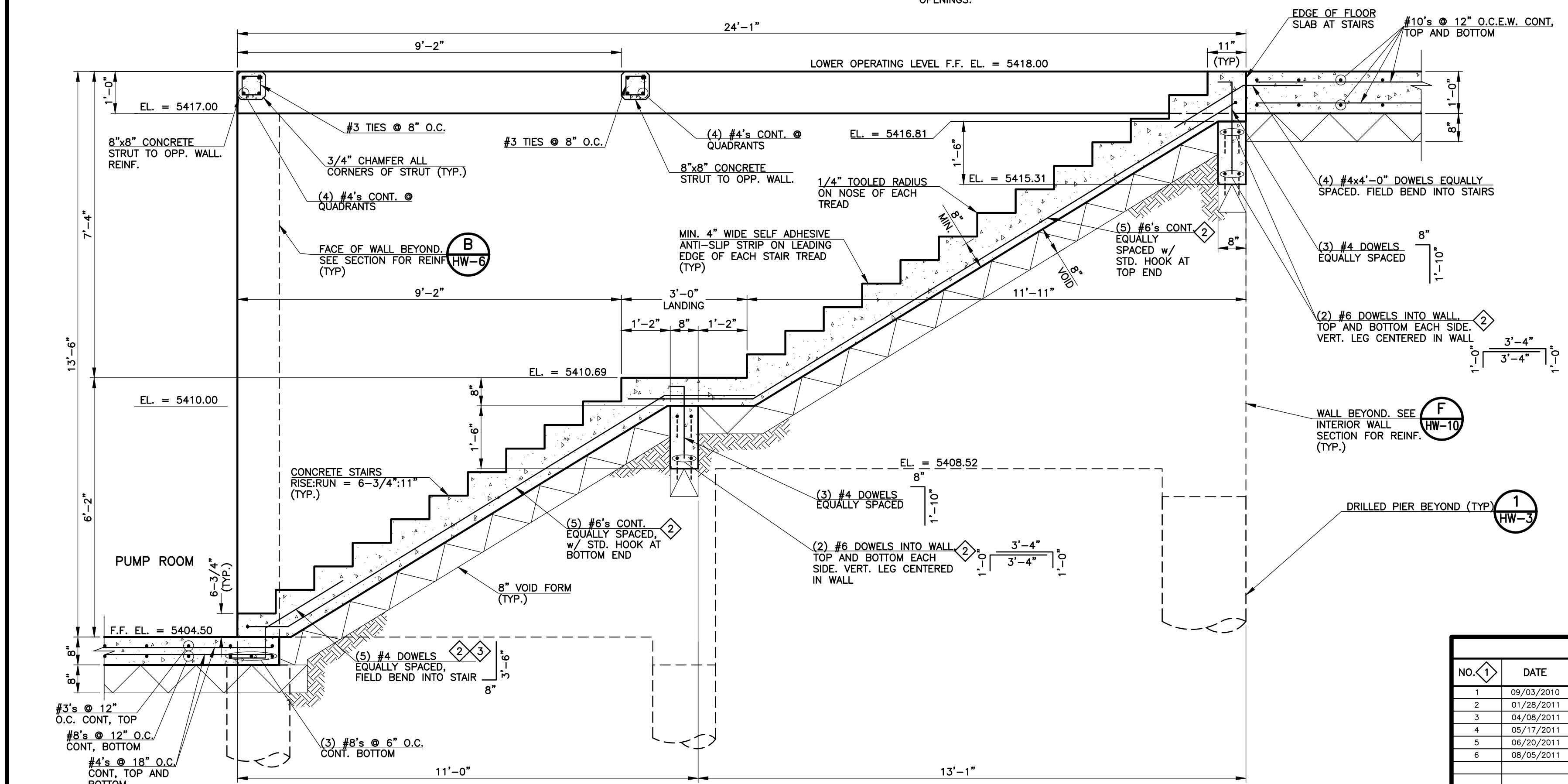
G SECTION
SCALE: 1/2" = 1'-0"



E SECTION
SCALE: 1/2" = 1'-0"



F SECTION
SCALE: 1/2" = 1'-0"



D STAIR SECTION
SCALE: 1/2" = 1'-0"

- NOTES:**
- INDICATES REINFORCING DETAILS AND REQUIREMENTS ARE THOSE SHOWN ON CHANNEL SECTIONS A/HW-9 AND B/HW-9. THOSE REINFORCING REQUIREMENTS ARE IN ADDITION TO THOSE GIVEN HERE FOR THE GRIT CHAMBERS AND HOPPERS AND SHALL BE CONTINUOUS THROUGH GRIT CHAMBER WALL, SEE NOTE 3 BELOW.
 - EACH GRIT CHAMBER IS A MIRROR IMAGE OF THE OTHER. ALL DETAILS, DIMENSIONS, REQUIREMENTS, ETC. GIVE FOR ONE CHAMBER ABOVE SHALL APPLY TO THE OTHER CHAMBER.
 - INDICATES GRIT CHAMBERS WALL REINFORCING THAT IS CONTINUOUS AROUND THE PERIMETER OF THE GRIT CHAMBERS. THIS REINFORCING IS ONLY FULLY SHOWN IN THE OUTSIDE WALLS OF THIS SECTION FOR CLARITY. THEY ARE NOT SHOWN WHERE THE GRIT CHAMBER WALLS ARE COMMON WITH THE BYPASS CHANNEL WALLS. AT THOSE LOCATIONS ONLY THE CHANNEL WALL REINFORCING IS SHOWN FOR CLARITY. SEE NOTE 1 ABOVE. THE GRIT CHAMBER WALL REINFORCING SHALL CONTINUE THROUGH THE COMMON PIECE OF BYPASS CHANNEL WALL AND BE INSTALLED IN ADDITION TO THE REINFORCING REQUIRED IN THE BYPASS CHANNEL WALL.
 - TERMINATE ALL HORIZONTAL AND VERTICAL BARS IN THE GRIT CHAMBER WALLS WITH A STANDARD HOOK AT INLET AND OUTLET CHANNEL OPENINGS.

- SHEET NOTE:**
- GRADE BEAMS ARE NOT DESIGNED TO CARRY LATERAL SOIL PRESSURES WITHOUT CHANNEL SLABS OR FLOOR SLABS IN PLACE.
 - THE PLACEMENT OF ON-SITE CLAY MATERIAL IN THE UPPER 2'-0" OF BACKFILL IS INTENDED TO ACT AS A RELATIVELY IMPERVIOUS LAYER. DO NOT PLACE CLAY MATERIAL AS UPPER 2'-0" OF BACKFILL UNDER STOOPS OR OTHER CONCRETE FLATWORK, NOR UNDER ASPHALT OR OTHER PAVEMENTS AS THESE MATERIALS WILL ACT AS THE RELATIVELY IMPERVIOUS LAYER.

REVISIONS		
NO.	DATE	DESCRIPTION
1	09/03/2010	PRELIMINARY ISSUE FOR REVISED COST ESTIMATE
2	01/28/2011	ISSUED FOR FOUNDATION PERMIT SUBMITTAL TO PPRBD (HEADWORKS)
3	04/08/2011	ISSUED FOR PREPARATION OF CMO
4	05/17/2011	ISSUED FOR PREPARATION OF CMO
5	04/20/2011	ISSUED FOR BUILDING PERMIT SUBMITTAL TO PPRBD (HEADWORKS BUILDING)
6	08/05/2011	ISSUED FOR CONSTRUCTION PER PPRBD BUILDING PERMIT #88510 (HEADWORKS BLDG)

THIS DRAWING IS THE PROPERTY OF GMS, INC., AND IS NOT TO BE REPRODUCED, MODIFIED OR USED FOR ANY OTHER PROJECT OR EXTENSION OF THIS PROJECT EXCEPT BY AGREEMENT WITH THIS COMPANY.

STRUCTURAL SECTIONS
HAROLD D. THOMPSON REGIONAL WATER RECLAMATION FACILITY
LOWER FOUNTAIN METROPOLITAN SEWAGE DISPOSAL DISTRICT

DRAWN	SJK	GMS, INC. CONSULTING ENGINEERS 611 N. WEBER, SUITE 300 COLORADO SPRINGS, COLORADO 80903	SHEET HW-7 OF -
DESIGNED	JP/MG		
CHECKED	MG		
DATE	2010		
PROJECT NO.	20166.352		
GMS FILE NO.	2599		