

GMS, INC.
CONSULTING ENGINEERS
611 NORTH WEBER, SUITE 300
COLORADO SPRINGS, COLORADO 80903-1074

TELEPHONE (719) 475-2935
TELEFAX (719) 475-2938

EDWARD D. MEYER, P.E.
ROGER J. SAMS, P.E.
GREGORY R. WORDEN, P.E.
THOMAS A. McCLERNAN, P.E.

KEN L. WHITE, P.L.S.
DAVID R. FRISCH, P.L.S.
MARK A. MORTON, P.E.
JASON D. MEYER, P.E.

ENGINEER'S SUPPLEMENTAL INSTRUCTIONS NO. EIGHT (008)
(Via Posting to FTP Site and Electronic Mail)

TO: Wes Weaver
John Jacob
Jeff Burst
Weaver General Construction Co.

DATE: June 16, 2011

FROM: Roger J. Sams, P.E.
Mark A. Morton, P.E.
GMS, Inc.

RE: Harold D. Thompson Regional Water Reclamation Facility (HDTRWRF)-Phase 1
ENGINEER'S SUPPLEMENTAL INSTRUCTIONS NO. EIGHT (008) (ESI-008)

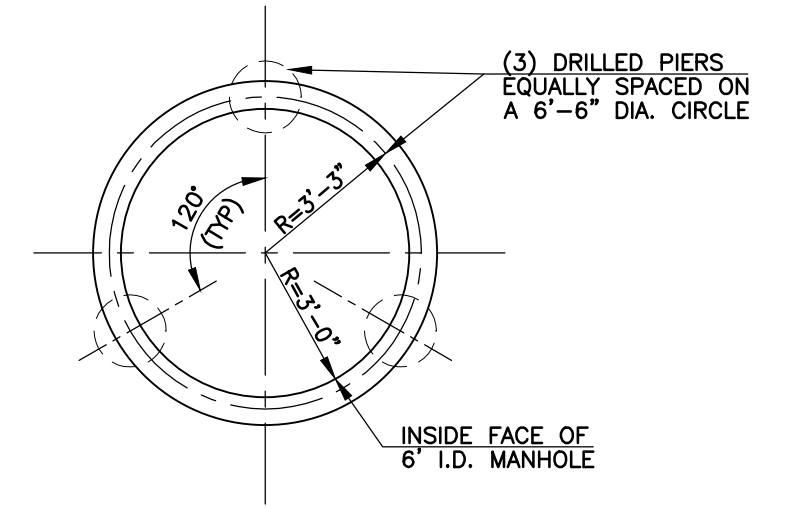
This ESI-008 corrects typographical errors on the Secondary Clarifier Drilled Pier Plan, Drawing SC-1. The estimated bottom of pier elevation has been corrected to be 5359.00, rather than 5369.00, for the drilled piers of four (4) manholes around the Secondary Clarifiers. The drilled piers, and their associated manholes, that have been corrected are as follows:

- 3 drilled piers at the clarifier effluent collection manhole, Manhole MH-06
- 3 drilled piers at the clarifier no. 1 valve manhole, Manhole MH-10
- 3 drilled piers at the clarifier no. 2 valve manhole, Manhole MH-11
- 3 drilled piers at the manhole west of the clarifier influent splitter structure, Manhole MH-05

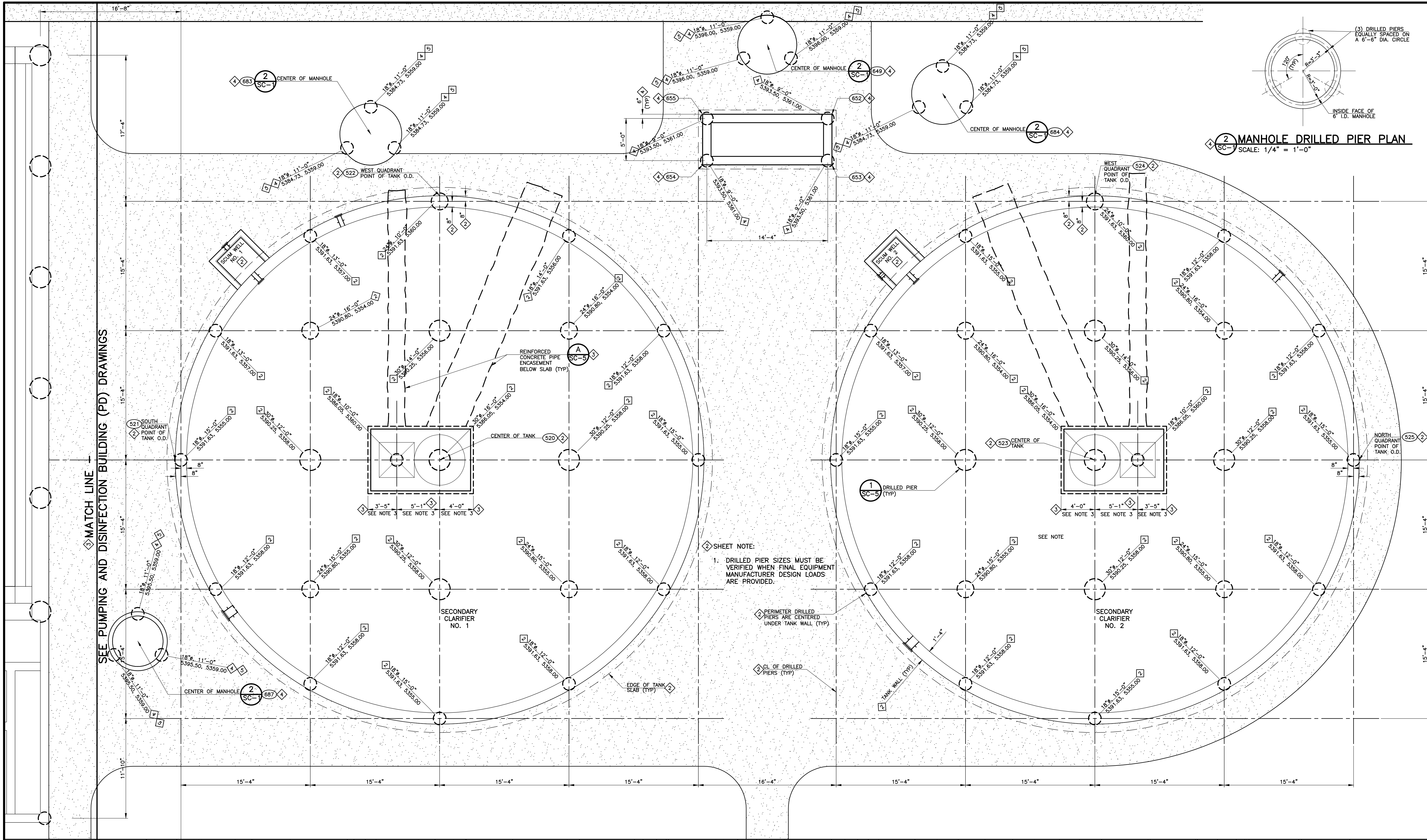
For convenience, a new issue of Drawing SC-1 including the corrected elevations has been attached to this ESI-008 and uploaded to the project FTP site.

Attachment: Drawing SC-1, date of latest revision June 16, 2011

ec: Lower Fountain Metropolitan Sewage Disposal District
Fountain Sanitation District
Colorado Centre Metropolitan District
cc: Jerry L. Miller, Resident Project Representative, GMS, Inc.



2 MANHOLE DRILLED PIER PLAN
 SC-7 SCALE: 1/4" = 1'-0"



SHEET NOTE:
 1. DRILLED PIER SIZES MUST BE VERIFIED WHEN FINAL EQUIPMENT MANUFACTURER DESIGN LOADS ARE PROVIDED.

2 PERIMETER DRILLED PIERS ARE CENTERED UNDER TANK WALL (TYP)
 3 CL OF DRILLED PIERS (TYP)

SEE PUMPING AND DISINFECTION BUILDING (PD) DRAWINGS

- NOTES:**
1. DRILLED PIER NOTATION AS FOLLOWS:
 2. SEE SHEET G-3 FOR COORDINATE INFORMATION.
 3. SEE STRUCTURAL PLAN FOR SLAB REQUIREMENTS AT THICKENED SUMP.

1 SECONDARY CLARIFIER DRILLED PIER PLAN
 SC-1 SCALE: 1" = 5'

REVISIONS		
NO.	DATE	DESCRIPTION
1	08/24/2010	ISSUED FOR EARTHWORK QUOTE
2	10/29/2010	ISSUED FOR EXCAVATION AROUND SECONDARY CLARIFIER TANKS
3	03/20/2011	ISSUED FOR BUILDING PERMIT SUBMITTAL TO PPRBD (SECONDARY CLARIFIER COMPLEX)
4	06/10/2011	ISSUED FOR CONSTRUCTION (SECONDARY CLARIFIER COMPLEX)
5	08/18/2011	ESI NO. 008

THIS DRAWING IS THE PROPERTY OF GMS, INC., AND IS NOT TO BE REPRODUCED, MODIFIED OR USED FOR ANY OTHER PROJECT OR EXTENSION OF THIS PROJECT EXCEPT BY AGREEMENT WITH THIS COMPANY.

DRILLED PIER PLAN
 HAROLD D. THOMPSON REGIONAL WATER RECLAMATION FACILITY
 LOWER FOUNTAIN METROPOLITAN SEWAGE DISPOSAL DISTRICT

DRAWN: MAM/MAL	GMS, INC. CONSULTING ENGINEERS 611 N. WEBER, SUITE 300 COLORADO SPRINGS, COLORADO 80903	SHEET SC-1 OF 1
DESIGNED: JP		
CHECKED: MG		
DATE: 2010		
PROJECT NO.: 20166.362		

GMS FILE NO.: 2599

XREF: FILENAME: G:\PROJECTS\20166\362\SC1\SC1.DWG
 PLOT STATE TRUE: 10/22/2010
 FILENAME: G:\PROJECTS\20166\362\SC1\SC1.DWG